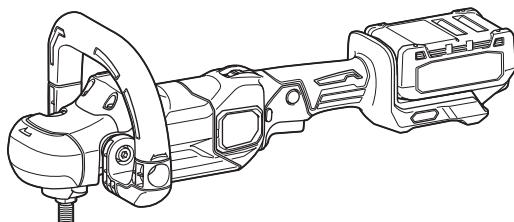


INSTRUCTION MANUAL
MANUEL D'INSTRUCTION
MANUAL DE INSTRUCCIONES



Cordless Polisher Polisseuse Sans Fil Pulidora Inalámbrica

PV001G



IMPORTANT: Read Before Using.

IMPORTANT : Lire avant usage.

IMPORTANTE: Lea antes de usar.

SPECIFICATIONS

Model:		PV001G
Maximum capacities	Wool pad	180 mm (7")
	Wool bonnet	180 mm (7")
Spindle thread		15.88 mm (5/8")
Rated speed (n) / No load speed (n ₀)		2,200 /min
Overall length (with battery cartridge BL4040)		531 mm (20-7/8")
Rated voltage		D.C. 36 V - 40 V max
Net weight		3.0 - 4.4 kg (6.6 - 9.7 lbs)

- Due to our continuing program of research and development, the specifications herein are subject to change without notice.
- Specifications and battery cartridge may differ from country to country.
- The weight may differ depending on the attachment(s), including the battery cartridge. The lightest and heaviest combinations, according to EPTA-Procedure 01/2014, are shown in the table.

Applicable battery cartridge and charger

Battery cartridge	BL4020 / BL4025* / BL4040* / BL4050F* * : Recommended battery
Charger	DC40RA / DC40RB / DC40RC

- Some of the battery cartridges and chargers listed above may not be available depending on your region of residence.

⚠ WARNING: Only use the battery cartridges and chargers listed above. Use of any other battery cartridges and chargers may cause injury and/or fire.

SAFETY WARNINGS

General power tool safety warnings

⚠ WARNING: Read all safety warnings, instructions, illustrations and specifications provided with this power tool. Failure to follow all instructions listed below may result in electric shock, fire and/or serious injury.

Save all warnings and instructions for future reference.

The term "power tool" in the warnings refers to your mains-operated (corded) power tool or battery-operated (cordless) power tool.

Work area safety

1. **Keep work area clean and well lit.** Cluttered or dark areas invite accidents.
2. **Do not operate power tools in explosive atmospheres, such as in the presence of flammable liquids, gases or dust.** Power tools create sparks which may ignite the dust or fumes.
3. **Keep children and bystanders away while operating a power tool.** Distractions can cause you to lose control.

Electrical Safety

1. **Power tool plugs must match the outlet. Never modify the plug in any way. Do not use any adapter plugs with earthed (grounded) power tools.** Unmodified plugs and matching outlets will reduce risk of electric shock.
2. **Avoid body contact with earthed or grounded surfaces, such as pipes, radiators, ranges and refrigerators.** There is an increased risk of electric shock if your body is earthed or grounded.
3. **Do not expose power tools to rain or wet conditions.** Water entering a power tool will increase the risk of electric shock.
4. **Do not abuse the cord. Never use the cord for carrying, pulling or unplugging the power tool. Keep cord away from heat, oil, sharp edges or moving parts.** Damaged or entangled cords increase the risk of electric shock.
5. **When operating a power tool outdoors, use an extension cord suitable for outdoor use.** Use of a cord suitable for outdoor use reduces the risk of electric shock.
6. **If operating a power tool in a damp location is unavoidable, use a ground fault circuit interrupter (GFCI) protected supply.** Use of a GFCI reduces the risk of electric shock.

7. **Power tools can produce electromagnetic fields (EMF) that are not harmful to the user.** However, users of pacemakers and other similar medical devices should contact the maker of their device and/or doctor for advice before operating this power tool.

Personal Safety

1. **Stay alert, watch what you are doing and use common sense when operating a power tool. Do not use a power tool while you are tired or under the influence of drugs, alcohol or medication.** A moment of inattention while operating power tools may result in serious personal injury.
2. **Use personal protective equipment. Always wear eye protection.** Protective equipment such as dust mask, non-skid safety shoes, hard hat, or hearing protection used for appropriate conditions will reduce personal injuries.
3. **Prevent unintentional starting. Ensure the switch is in the off-position before connecting to power source and/or battery pack, picking up or carrying the tool.** Carrying power tools with your finger on the switch or energising power tools that have the switch on invites accidents.
4. **Remove any adjusting key or wrench before turning the power tool on.** A wrench or a key left attached to a rotating part of the power tool may result in personal injury.
5. **Do not overreach. Keep proper footing and balance at all times.** This enables better control of the power tool in unexpected situations.
6. **Dress properly. Do not wear loose clothing or jewellery. Keep your hair, clothing and gloves away from moving parts.** Loose clothes, jewellery or long hair can be caught in moving parts.
7. **If devices are provided for the connection of dust extraction and collection facilities, ensure these are connected and properly used.** Use of dust collection can reduce dust-related hazards.
8. **Do not let familiarity gained from frequent use of tools allow you to become complacent and ignore tool safety principles.** A careless action can cause severe injury within a fraction of a second.
9. **Always wear protective goggles to protect your eyes from injury when using power tools. The goggles must comply with ANSI Z87.1 in the USA. It is an employer's responsibility to enforce the use of appropriate safety protective equipment by the tool operators and by other persons in the immediate working area.**

Power tool use and care

1. **Do not force the power tool. Use the correct power tool for your application.** The correct power tool will do the job better and safer at the rate for which it was designed.
2. **Do not use the power tool if the switch does not turn it on and off.** Any power tool that cannot be controlled with the switch is dangerous and must be repaired.
3. **Disconnect the plug from the power source and/or remove the battery pack, if detachable, from the power tool before making any adjustments, changing accessories, or storing power tools.** Such preventive safety measures reduce the risk of starting the power tool accidentally.

4. **Store idle power tools out of the reach of children and do not allow persons unfamiliar with the power tool or these instructions to operate the power tool.** Power tools are dangerous in the hands of untrained users.
5. **Maintain power tools and accessories. Check for misalignment or binding of moving parts, breakage of parts and any other condition that may affect the power tool's operation. If damaged, have the power tool repaired before use.** Many accidents are caused by poorly maintained power tools.
6. **Keep cutting tools sharp and clean.** Properly maintained cutting tools with sharp cutting edges are less likely to bind and are easier to control.
7. **Use the power tool, accessories and tool bits etc. in accordance with these instructions, taking into account the working conditions and the work to be performed.** Use of the power tool for operations different from those intended could result in a hazardous situation.
8. **Keep handles and grasping surfaces dry, clean and free from oil and grease.** Slippery handles and grasping surfaces do not allow for safe handling and control of the tool in unexpected situations.
9. **When using the tool, do not wear cloth work gloves which may be entangled.** The entanglement of cloth work gloves in the moving parts may result in personal injury.

Battery tool use and care

1. **Recharge only with the charger specified by the manufacturer.** A charger that is suitable for one type of battery pack may create a risk of fire when used with another battery pack.
2. **Use power tools only with specifically designated battery packs.** Use of any other battery packs may create a risk of injury and fire.
3. **When battery pack is not in use, keep it away from other metal objects, like paper clips, coins, keys, nails, screws or other small metal objects, that can make a connection from one terminal to another.** Shorting the battery terminals together may cause burns or a fire.
4. **Under abusive conditions, liquid may be ejected from the battery; avoid contact. If contact accidentally occurs, flush with water. If liquid contacts eyes, additionally seek medical help.** Liquid ejected from the battery may cause irritation or burns.
5. **Do not use a battery pack or tool that is damaged or modified.** Damaged or modified batteries may exhibit unpredictable behaviour resulting in fire, explosion or risk of injury.
6. **Do not expose a battery pack or tool to fire or excessive temperature.** Exposure to fire or temperature above 130 °C may cause explosion.
7. **Follow all charging instructions and do not charge the battery pack or tool outside the temperature range specified in the instructions.** Charging improperly or at temperatures outside the specified range may damage the battery and increase the risk of fire.

Service

1. **Have your power tool serviced by a qualified repair person using only identical replacement parts.** This will ensure that the safety of the power tool is maintained.
2. **Never service damaged battery packs.** Service of battery packs should only be performed by the manufacturer or authorized service providers.
3. **Follow instruction for lubricating and changing accessories.**
4. **Do not modify or attempt to repair the appliance or the battery pack except as indicated in the instructions for use and care.**

Cordless polisher safety warnings

Safety Warnings for Polishing Operations:

1. **This power tool is intended to function as a polisher. Read all safety warnings, instructions, illustrations and specifications provided with this power tool.** Failure to follow all instructions listed below may result in electric shock, fire and/or serious injury.
2. **Operations such as grinding, sanding, wire brushing, hole cutting or cutting-off are not to be performed with this power tool.** Operations for which the power tool was not designed may create a hazard and cause personal injury.
3. **Do not convert this power tool to operate in a way which is not specifically designed and specified by the tool manufacturer.** Such a conversion may result in a loss of control and cause serious personal injury.
4. **Do not use accessories which are not specifically designed and specified by the tool manufacturer.** Just because the accessory can be attached to your power tool, it does not assure safe operation.
5. **The rated speed of the accessory must be at least equal to the maximum speed marked on the power tool.** Accessories running faster than their rated speed can break and fly apart.
6. **The outside diameter and the thickness of your accessory must be within the capacity rating of your power tool.** Incorrectly sized accessories cannot be adequately guarded or controlled.
7. **The dimensions of the accessory mounting must fit the dimensions of the mounting hardware of the power tool.** Accessories that do not match the mounting hardware of the power tool will run out of balance, vibrate excessively and may cause loss of control.
8. **Do not use a damaged accessory. Before each use inspect the accessory such as abrasive wheels for chips and cracks, backing pad for cracks, tear or excess wear, wire brush for loose or cracked wires. If power tool or accessory is dropped, inspect for damage or install an undamaged accessory. After inspecting and installing an accessory, position yourself and bystanders away from the plane of the rotating accessory and run the power tool at maximum no-load speed for one minute.** Damaged accessories will normally break apart during this test time.

9. **Wear personal protective equipment. Depending on application, use face shield, safety goggles or safety glasses. As appropriate, wear dust mask, hearing protectors, gloves and workshop apron capable of stopping small abrasive or workpiece fragments.** The eye protection must be capable of stopping flying debris generated by various applications. The dust mask or respirator must be capable of filtering particles generated by the particular application. Prolonged exposure to high intensity noise may cause hearing loss.
10. **Keep bystanders a safe distance away from work area. Anyone entering the work area must wear personal protective equipment.** Fragments of workpiece or of a broken accessory may fly away and cause injury beyond immediate area of operation.
11. **Never lay the power tool down until the accessory has come to a complete stop.** The spinning accessory may grab the surface and pull the power tool out of your control.
12. **Do not run the power tool while carrying it at your side.** Accidental contact with the spinning accessory could snag your clothing, pulling the accessory into your body.
13. **Regularly clean the power tool's air vents.** The motor's fan will draw the dust inside the housing and excessive accumulation of powdered metal may cause electrical hazards.
14. **Do not operate the power tool near flammable materials.** Sparks could ignite these materials.
15. **Do not use accessories that require liquid coolants.** Using water or other liquid coolants may result in electrocution or shock.
16. **Do not allow any loose portion of the polishing bonnet or its attachment strings to spin freely. Tuck away or trim any loose attachment strings.** Loose and spinning attachment strings can entangle your fingers or snag on the workpiece.

Kickback and Related Warnings

Kickback is a sudden reaction to a pinched or snagged rotating wheel, backing pad, brush or any other accessory. Pinching or snagging causes rapid stalling of the rotating accessory which in turn causes the uncontrolled power tool to be forced in the direction opposite of the accessory's rotation at the point of the binding. For example, if an abrasive wheel is snagged or pinched by the workpiece, the edge of the wheel that is entering into the pinch point can dig into the surface of the material causing the wheel to climb out or kick out. The wheel may either jump toward or away from the operator, depending on direction of the wheel's movement at the point of pinching. Abrasive wheels may also break under these conditions.

Kickback is the result of power tool misuse and/or incorrect operating procedures or conditions and can be avoided by taking proper precautions as given below.

1. **Maintain a firm grip with both hands on the power tool and position your body and arms to allow you to resist kickback forces. Always use auxiliary handle, if provided, for maximum control over kickback or torque reaction during start-up.** The operator can control torque reactions or kickback forces, if proper precautions are taken.

2. **Never place your hand near the rotating accessory.** Accessory may kickback over your hand.
3. **Do not position your body in the area where power tool will move if kickback occurs.** Kickback will propel the tool in direction opposite to the wheel's movement at the point of snagging.
4. **Use special care when working corners, sharp edges, etc. Avoid bouncing and snagging the accessory.** Corners, sharp edges or bouncing have a tendency to snag the rotating accessory and cause loss of control or kickback.
5. **Do not attach a saw chain woodcarving blade, segmented diamond wheel with a peripheral gap greater than 10 mm or toothed saw blade.** Such blades create frequent kickback and loss of control.

Additional Safety Warnings:


1. **Be careful not to damage the spindle, the flange (especially the installing surface) or the lock nut.** Damage to these parts could result in wheel breakage.
2. **Make sure the wheel is not contacting the workpiece before the switch is turned on.**
3. **Before using the tool on an actual workpiece, let it run for a while.** Watch for vibration or wobbling that could indicate poor installation or a poorly balanced wheel.
4. **Use the specified surface of the wheel to perform polishing.**
5. **Do not leave the tool running.** Operate the tool only when hand-held.
6. **Do not touch the workpiece immediately after operation; it may be extremely hot and could burn your skin.**
7. **Do not touch accessories immediately after operation; it may be extremely hot and could burn your skin.**
8. **Observe the instructions of the manufacturer for correct mounting and use of wheels.** Handle and store wheels with care.
9. **For tools intended to be fitted with threaded hole wheel, ensure that the thread in the wheel is long enough to accept the spindle length.**
10. **Check that the workpiece is properly supported.**
11. **Pay attention that the wheel continues to rotate after the tool is switched off.**
12. **Do not use the tool on any materials containing asbestos.**
13. **Do not use cloth work gloves during operation.** Fibers from cloth gloves may enter the tool, which causes tool breakage.

SAVE THESE INSTRUCTIONS.

⚠ WARNING: DO NOT let comfort or familiarity with product (gained from repeated use) replace strict adherence to safety rules for the subject product. MISUSE or failure to follow the safety rules stated in this instruction manual may cause serious personal injury.

Symbols

The followings show the symbols used for tool.

v	volts
	direct current
n	rated speed
n ₀	no load speed
.../min r/min	orbits per minute

Important safety instructions for battery cartridge

1. **Before using battery cartridge, read all instructions and cautionary markings on (1) battery charger, (2) battery, and (3) product using battery.**
2. **Do not disassemble or tamper with the battery cartridge.** It may result in a fire, excessive heat, or explosion.
3. **If operating time has become excessively shorter, stop operating immediately.** It may result in a risk of overheating, possible burns and even an explosion.
4. **If electrolyte gets into your eyes, rinse them out with clear water and seek medical attention right away.** It may result in loss of your eyesight.
5. **Do not short the battery cartridge:**
 - (1) **Do not touch the terminals with any conductive material.**
 - (2) **Avoid storing battery cartridge in a container with other metal objects such as nails, coins, etc.**
 - (3) **Do not expose battery cartridge to water or rain.**

A battery short can cause a large current flow, overheating, possible burns and even a breakdown.
6. **Do not store and use the tool and battery cartridge in locations where the temperature may reach or exceed 50 °C (122 °F).**
7. **Do not incinerate the battery cartridge even if it is severely damaged or is completely worn out.** The battery cartridge can explode in a fire.
8. **Do not nail, cut, crush, throw, drop the battery cartridge, or hit against a hard object to the battery cartridge.** Such conduct may result in a fire, excessive heat, or explosion.
9. **Do not use a damaged battery.**
10. **The contained lithium-ion batteries are subject to the Dangerous Goods Legislation requirements.**
For commercial transports e.g. by third parties, forwarding agents, special requirement on packaging and labeling must be observed.

For preparation of the item being shipped, consulting an expert for hazardous material is required. Please also observe possibly more detailed national regulations.

Tape or mask off open contacts and pack up the battery in such a manner that it cannot move around in the packaging.

11. **When disposing the battery cartridge, remove it from the tool and dispose of it in a safe place. Follow your local regulations relating to disposal of battery.**
12. **Use the batteries only with the products specified by Makita.** Installing the batteries to non-compliant products may result in a fire, excessive heat, explosion, or leak of electrolyte.
13. **If the tool is not used for a long period of time, the battery must be removed from the tool.**
14. **During and after use, the battery cartridge may take on heat which can cause burns or low temperature burns. Pay attention to the handling of hot battery cartridges.**
15. **Do not touch the terminal of the tool immediately after use as it may get hot enough to cause burns.**
16. **Do not allow chips, dust, or soil stuck into the terminals, holes, and grooves of the battery cartridge.** It may cause heating, catching fire, burst and malfunction of the tool or battery cartridge, resulting in burns or personal injury.
17. **Unless the tool supports the use near high-voltage electrical power lines, do not use the battery cartridge near a high-voltage electrical power lines.** It may result in a malfunction or breakdown of the tool or battery cartridge.
18. **Keep the battery away from children.**

SAVE THESE INSTRUCTIONS.

CAUTION: Only use genuine Makita batteries. Use of non-genuine Makita batteries, or batteries that have been altered, may result in the battery bursting causing fires, personal injury and damage. It will also void the Makita warranty for the Makita tool and charger.

Tips for maintaining maximum battery life

1. **Charge the battery cartridge before completely discharged. Always stop tool operation and charge the battery cartridge when you notice less tool power.**
2. **Never recharge a fully charged battery cartridge. Overcharging shortens the battery service life.**
3. **Charge the battery cartridge with room temperature at 10 °C - 40 °C (50 °F - 104 °F). Let a hot battery cartridge cool down before charging it.**
4. **When not using the battery cartridge, remove it from the tool or the charger.**
5. **Charge the battery cartridge if you do not use it for a long period (more than six months).**

FUNCTIONAL DESCRIPTION

CAUTION: Always be sure that the tool is switched off and the battery cartridge is removed before adjusting or checking function on the tool.

Installing or removing battery cartridge

CAUTION: Always switch off the tool before installing or removing of the battery cartridge.

CAUTION: Hold the tool and the battery cartridge firmly when installing or removing battery cartridge. Failure to hold the tool and the battery cartridge firmly may cause them to slip off your hands and result in damage to the tool and battery cartridge and a personal injury.

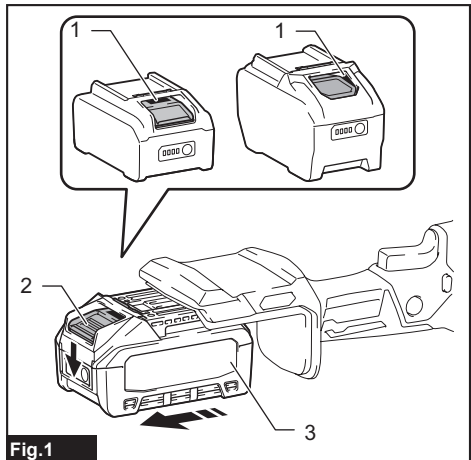


Fig.1

► 1. Red indicator 2. Button 3. Battery cartridge

To remove the battery cartridge, slide it from the tool while sliding the button on the front of the cartridge.

To install the battery cartridge, align the tongue on the battery cartridge with the groove in the housing and slip it into place. Insert it all the way until it locks in place with a little click. If you can see the red indicator as shown in the figure, it is not locked completely.

CAUTION: Always install the battery cartridge fully until the red indicator cannot be seen. If not, it may accidentally fall out of the tool, causing injury to you or someone around you.

CAUTION: Do not install the battery cartridge forcibly. If the cartridge does not slide in easily, it is not being inserted correctly.

Indicating the remaining battery capacity

Press the check button on the battery cartridge to indicate the remaining battery capacity. The indicator lamps light up for a few seconds.

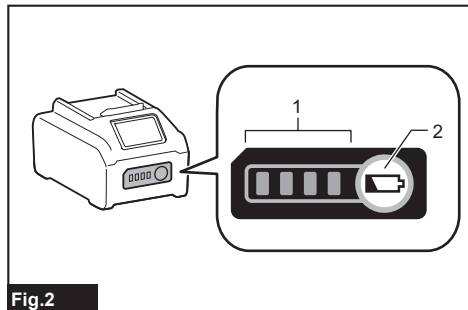


Fig.2

► 1. Indicator lamps 2. Check button

Indicator lamps			Remaining capacity
Lighted	Off	Blinking	
■ ■ ■ ■			75% to 100%
■ ■ ■ □			50% to 75%
■ ■ □ □			25% to 50%
■ □ □ □			0% to 25%
▣ □ □ □			Charge the battery.
■ ■ □ □			The battery may have malfunctioned.
□ □ ■ ■			

NOTE: Depending on the conditions of use and the ambient temperature, the indication may differ slightly from the actual capacity.

NOTE: The first (far left) indicator lamp will blink when the battery protection system works.

Tool / battery protection system

The tool is equipped with a tool/battery protection system. This system automatically cuts off power to the motor to extend tool and battery life. The tool will automatically stop during operation if the tool or battery is placed under one of the following conditions:

Overload protection

When the tool/battery is operated in a manner that causes it to draw an abnormally high current, the tool automatically stops. In this situation, turn the tool off and stop the application that caused the tool to become overloaded. Then turn the tool on to restart.

Overheat protection

When the tool/battery is overheated, the tool stops automatically. In this situation, let the tool/battery cool before turning the tool on again.

Overdischarge protection

When the battery capacity is not enough, the tool stops automatically. In this case, remove the battery from the tool and charge the battery.

Protections against other causes

Protection system is also designed for other causes that could damage the tool and allows the tool to stop automatically. Take all the following steps to clear the causes, when the tool has been brought to a temporary halt or stop in operation.

1. Turn the tool off, and then turn it on again to restart.
2. Charge the battery(ies) or replace it/them with recharged battery(ies).
3. Let the tool and battery(ies) cool down.

If no improvement can be found by restoring protection system, then contact your local Makita Service Center.

Switch action

CAUTION: Before installing the battery cartridge into the tool, always check to see that the switch trigger actuates properly and returns to the "OFF" position when released.

CAUTION: Switch can be locked in "ON" position for ease of operator comfort during extended use. Apply caution when locking tool in "ON" position and maintain firm grasp on tool.

CAUTION: Do not install the battery cartridge with the lock button engaged.

CAUTION: When not operating the tool, depress the trigger-lock button from the side to lock the switch trigger in the OFF position.

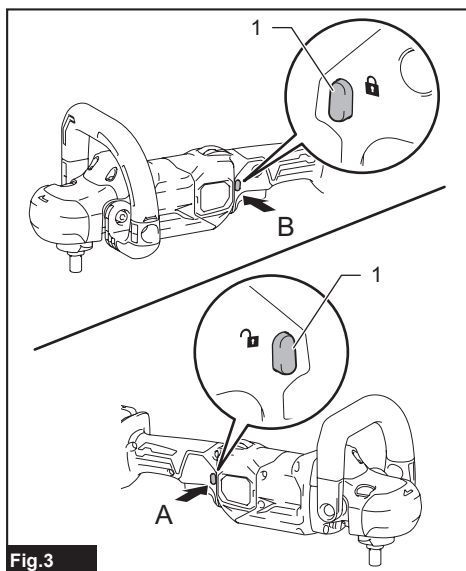


Fig.3

► 1. Trigger-lock button

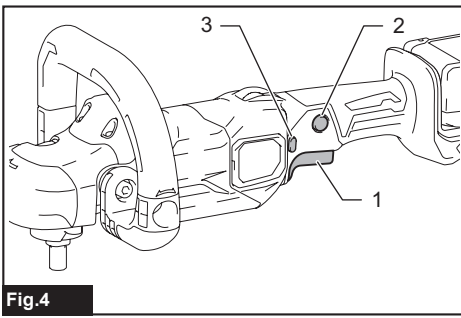


Fig.4

- 1. Switch trigger 2. Lock button 3. Trigger-lock button

To prevent the switch trigger from accidentally pulled, the trigger-lock button is provided. To start the tool, depress the trigger-lock button from A (A) side and pull the switch trigger. Tool speed is increased by increasing pressure on the switch trigger. Release the switch trigger to stop. After use, depress the trigger-lock button from B (B) side.

For continuous operation, depress the lock button while pulling the switch trigger, and then release the switch trigger. To stop the tool, pull the switch trigger fully, then release it.

Speed adjusting dial

The rotating speed can be changed by using the speed adjusting dial on top of the switch handle. Turn the speed adjusting dial to align the pointers with your desired rotating speed indicated on the speed scale. The rotating speed can be adjusted from 600 (RPM) to 2,200 (RPM), and a target speed can be obtained when the switch trigger is fully squeezed.

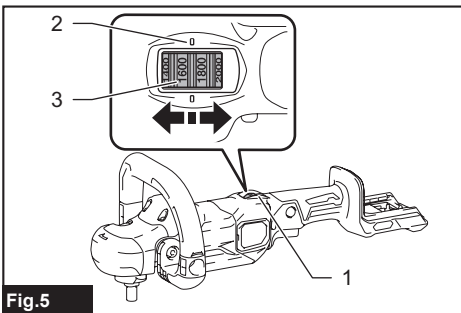


Fig.5

- 1. Speed adjusting dial 2. Pointer 3. Speed scale

NOTICE: If the tool is operated continuously at low speeds for a long time, the motor will get overloaded, resulting in tool malfunction.

NOTICE: The speed adjusting dial turns between 600 and 2,200 on the speed scale. Avoid turning the dial back and forwards further as it may cause damage to the tool.

NOTE: Be sure to read numbers on the scale as an indicator since the actual speed may fluctuate slightly.

Shaft lock

Press the shaft lock to prevent spindle rotation when installing and removing accessories.

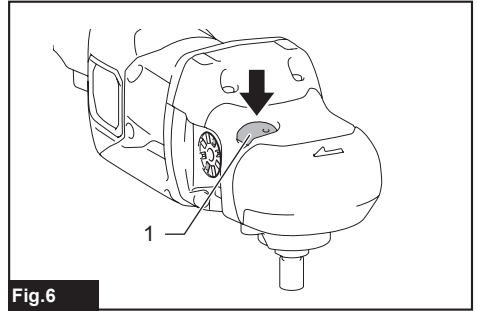


Fig.6

- 1. Shaft lock

NOTICE: Never actuate the shaft lock while the spindle is moving. The tool may be damaged.

Accidental restart preventive function

If you install the battery cartridge while pulling the switch trigger or locking the switch trigger, the tool does not start. To start the tool, release the switch trigger, and then pull the switch trigger.

Electronic function

The tool is equipped with the following electronic functions for easy operation.

Constant speed control

Possible to get fine finish, because the rotating speed is kept constant even under the loaded condition.

Soft start feature

The soft-start function minimizes start-up shock, and makes the tool start smoothly.

ASSEMBLY

CAUTION: Always be sure that the tool is switched off and the battery cartridge is removed before carrying out any work on the tool.

Installing loop handle

CAUTION: Be sure to hold the tool firmly with both hands, positioning one hand on the switch handle and the other on the loop handle, side grip or tool head.

CAUTION: Make sure that the loop handle is installed securely before operation.

1. Place the loop handle over the tool head by passing the tool head through the loop of the handle.

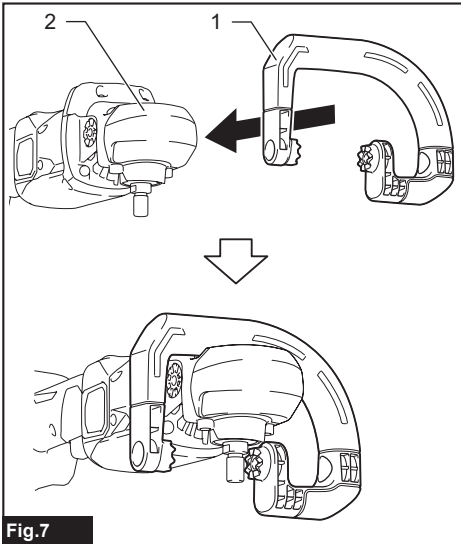


Fig.7

- 1. Loop handle 2. Tool head

2. Attach the straight end of the loop handle over the mounting hole on side of the tool head, fitting the guide ridges on the handle end well into the guide grooves around the mounting hole.

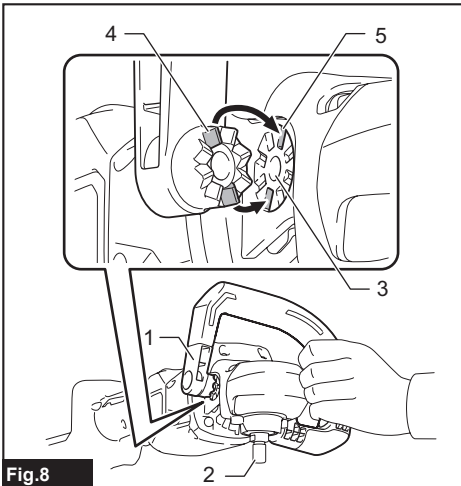


Fig.8

- 1. Straight end of loop handle 2. Spindle
3. Mounting hole 4. Guide ridge 5. Guide groove

3. Hold the loop handle and pull the loop end over the mounting hole on the other side of the tool head, refining angles to engage the handle position.

4. Install and tighten the hex bolts into the mounting holes on both sides of the tool head to secure the loop handle in place.

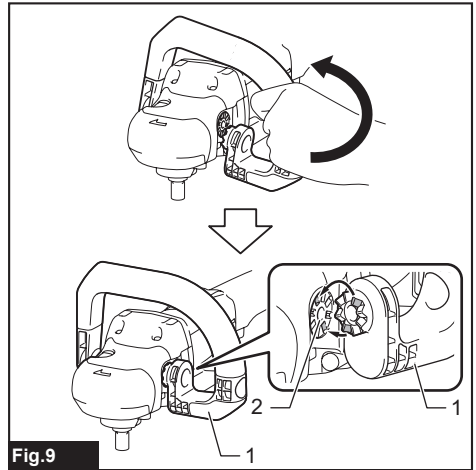


Fig.9

- 1. Loop end of loop handle 2. Mounting hole

NOTE: The loop handle has an asymmetric shape that can be applied for left or right hand, making it more comfortable for you to grip and easy for polishing.

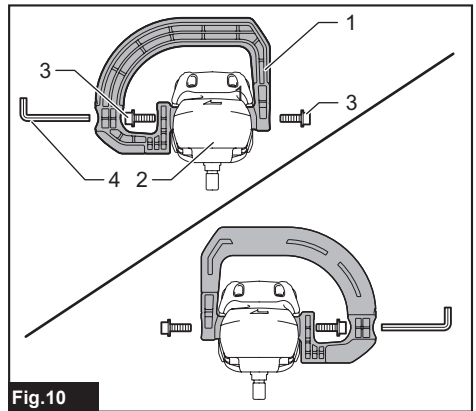


Fig.10

- 1. Loop handle 2. Tool head 3. Hex bolt 4. Hex wrench

NOTE: The loop handle can be laid down back and forwards according to your preferred position. Loosen the hex bolts, move the handle to your desired angle and then refasten the bolts to lock the angle.

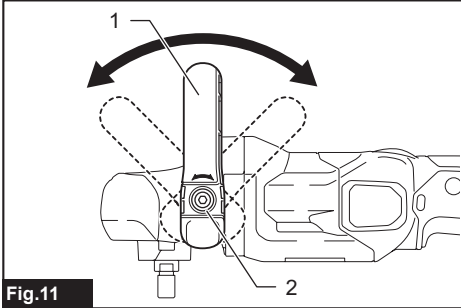


Fig.11

► 1. Loop handle 2. Hex bolt

Installing side grip

CAUTION: Be sure to hold the tool firmly with both hands, positioning one hand on the switch handle and the other on the loop handle, side grip or tool head.

CAUTION: Make sure that the side grip is installed securely before operation.

Screw the side grip tightly into the mounting hole on either side of the tool head.

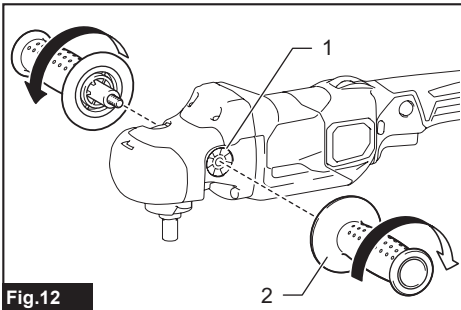


Fig.12

► 1. Mounting hole 2. Side grip

Installing and removing wool pad

Optional accessory

CAUTION: Make sure that the backing pad is secured properly. Loose attachment will run out of balance and cause an excessive vibration which may cause loss of control.

CAUTION: Make sure that the wool pad and backing pad are aligned and securely attached. Otherwise the wool pad will cause an excessive vibration which may cause loss of control or the wool pad may be thrown out from the tool.

CAUTION: Only use the hook-and-loop system wool pads for polishing.

NOTICE: Never actuate the shaft lock when the spindle is moving. The tool may be damaged.

NOTICE: Regularly clean accessories and spindle to remove dust and debris. Wipe the components clean with a cloth dampened in soapy water if necessary.

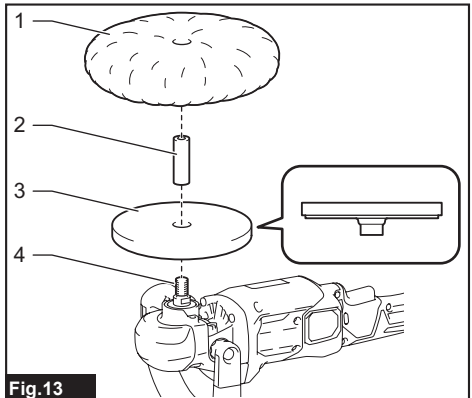


Fig.13

► 1. Wool pad 2. Sleeve 18 3. Backing pad 4. Spindle

Installing wool pad

1. Press in the shaft lock to prevent spindle rotation, and thread the backing pad into the spindle.
2. Hand tighten the backing pad securely.

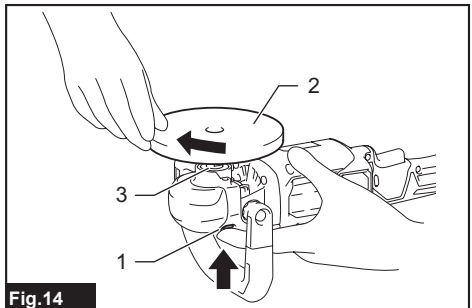


Fig.14

► 1. Shaft lock 2. Backing pad 3. Spindle

3. Insert the sleeve 18 into the center hole of the backing pad.
4. Install the wool pad over the backing pad, passing the sleeve 18 through the center hole of the wool pad. Use the sleeve 18 as a positioning guide to align the wool pad accurately along the backing pad.
5. Pull the sleeve 18 out of the center hole of the backing pad.

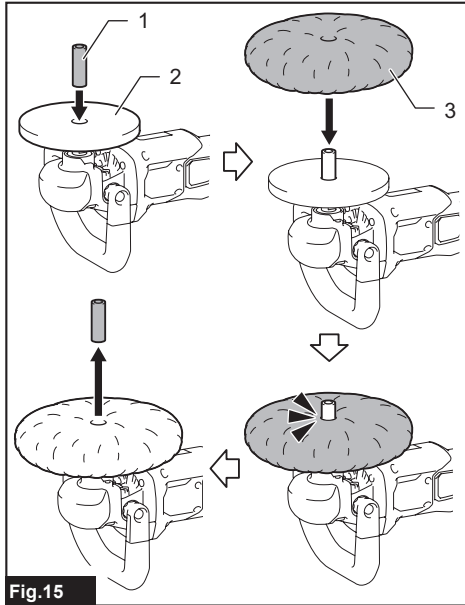


Fig.15

- 1. Sleeve 18 2. Backing pad 3. Wool pad

Removing wool pad

1. Gently peel the wool pad off the backing pad.
2. Unscrew the backing pad while pressing in the shaft lock.

Installing and removing wool bonnet

Optional accessory

CAUTION: Make sure that the rubber pad is secured properly. Loose attachment will run out of balance and cause an excessive vibration which may cause loss of control.

NOTICE: Never actuate the shaft lock when the spindle is moving. The tool may be damaged.

NOTICE: Regularly clean accessories and spindle to remove dust and debris. Wipe the components clean with a cloth dampened in soapy water if necessary.

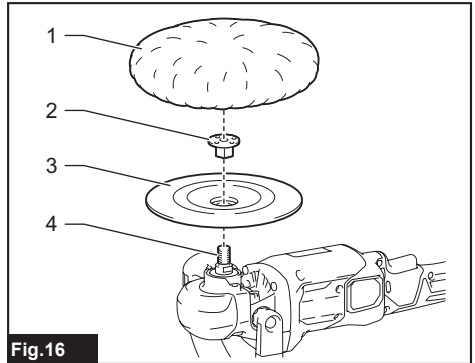


Fig.16

- 1. Wool bonnet 2. Lock nut 3. Rubber pad 4. Spindle

Installing wool bonnet

1. Press in the shaft lock to prevent spindle rotation.
2. Place the rubber pad over the spindle, passing the spindle thread through the center hole of the rubber pad.
3. Install the lock nut onto the spindle, and then tighten it clockwise using the lock nut wrench to secure the rubber pad firmly in place.

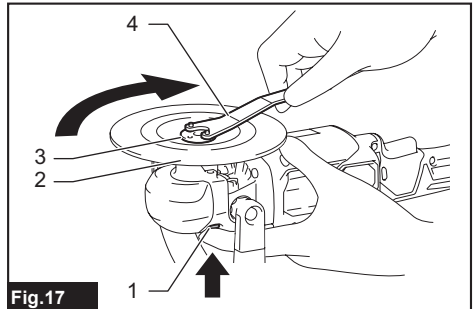


Fig.17

- 1. Shaft lock 2. Rubber pad 3. Lock nut 4. Lock nut wrench

4. Lay the wool bonnet down over the rubber pad and cover up completely.

- Turn the tool upside down. Pull the strings tight and tie a bow knot. Then tuck the knot and any loose strings between the wool bonnet and the rubber pad.

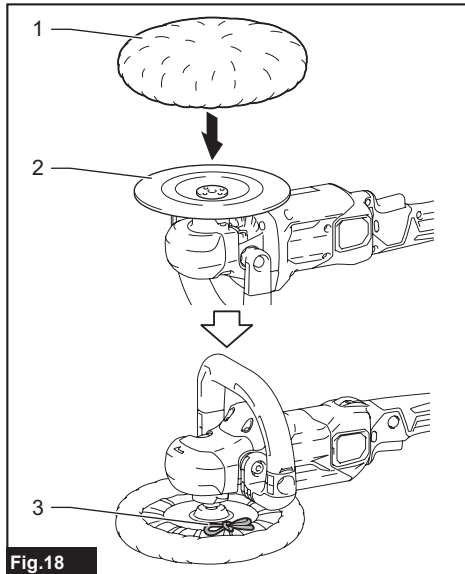


Fig.18

- 1. Wool bonnet 2. Rubber pad 3. Strings

Removing wool bonnet

- Untie the bow knot and gently remove the wool bonnet from the rubber pad.
- Loosen the lock nut counterclockwise with the lock nut wrench while pressing in the shaft lock. Pull the lock nut and rubber pad off the spindle.

OPERATION

CAUTION: Only use Makita genuine pads for polishing (optional accessories).

CAUTION: Be sure to hold the tool firmly with both hands, positioning one hand on the switch handle and the other on the loop handle, side grip or tool head.

CAUTION: Make sure that the loop handle or side grip is installed securely before operation.

CAUTION: Make sure the work material is secured and stable. Falling object may cause personal injury.

CAUTION: Do not run the tool at high load over an extended time period. It may result in tool malfunction which causes electric shock, fire and/or serious injury.

CAUTION: Be careful not to touch the rotating part.

NOTICE: Never force the tool. Excessive pressure may lead to decreased polishing efficiency, damaged pad, or shorten tool life.

NOTICE: Continuous operation at high speed may damage work surface.

Polishing basics

CAUTION: Always wear safety glasses or a face shield during operation.

NOTICE: It is recommended that you have a trial run over an inconspicuous spot to find an appropriate workload.

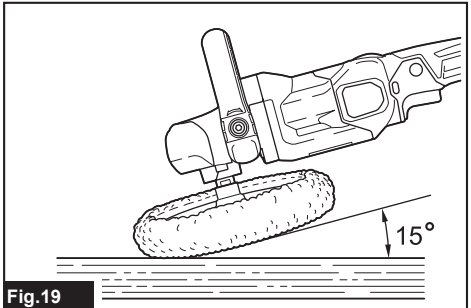


Fig.19

- Make sure that the workpiece is properly supported and both hands are free to control the tool.
- Hold the tool firmly with one hand on the switch handle and the other hand on the loop handle, side grip or tool head.
- Turn the tool on, letting the polishing wheel reach full speed. Then carefully enter into operation moving the tool back and forth with steady pressure over the workpiece surface.

NOTE: Keep the wool pad/bonnet at an angle of about 15 degrees to the workpiece surface.

NOTE: Apply an even amount of gentle pressure over the polishing wheel. Excessive pressure will result in poor performance and premature wear to wool pad/bonnet.

- Having finished, switch the tool off and wait until the wheel has come to a complete stop before putting the tool down.

Polishing operations

Surface treatment

Use a wool pad for rough finishing, then use a sponge pad (optional accessory) for fine finishing.

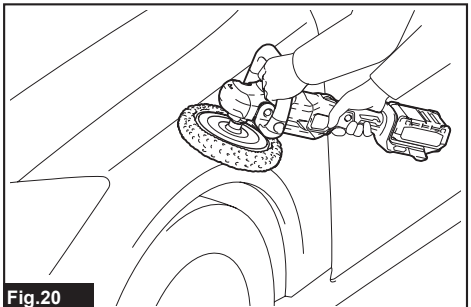


Fig.20

Applying wax

Apply wax to the sponge pad (optional accessory) or work surface. Run the tool at low speed to smooth out wax.

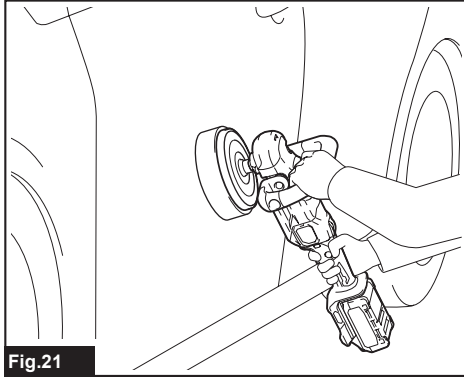


Fig.21

CAUTION: Do not apply excessive wax or polishing agent. It will generate more dust and may cause eye or respiratory diseases.

NOTE: First, perform a test waxing on an inconspicuous portion of the work surface. Make sure that the tool will not scratch the surface, or it may result in uneven waxing.

Removing wax

Apply with a clean sponge pad (optional accessory). Run the tool to remove wax.

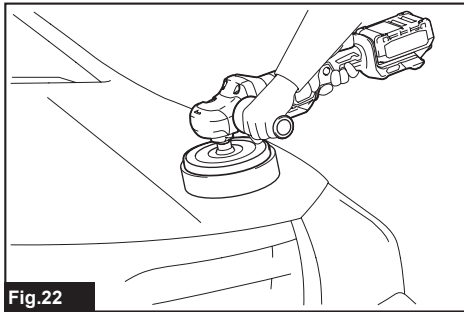


Fig.22

MAINTENANCE

CAUTION: Always be sure that the tool is switched off and the battery cartridge is removed before attempting to perform inspection or maintenance.

NOTICE: Never use gasoline, benzene, thinner, alcohol or the like. Discoloration, deformation or cracks may result.

To maintain product SAFETY and RELIABILITY, repairs, any other maintenance or adjustment should be performed by Makita Authorized or Factory Service Centers, always using Makita replacement parts.

Cleaning dust covers

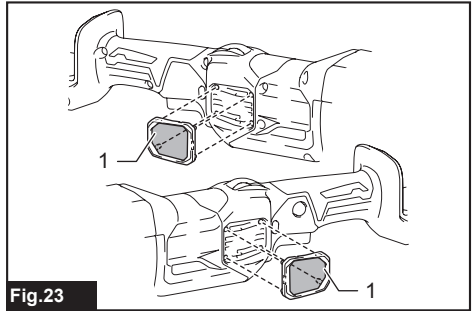


Fig.23

► 1. Dust cover

Regularly clean the dust covers on the inhalation vents for smooth air circulation. Remove the dust covers and clean the mesh.

OPTIONAL ACCESSORIES

CAUTION: These accessories or attachments are recommended for use with your Makita tool specified in this manual. The use of any other accessories or attachments might present a risk of injury to persons. Only use accessory or attachment for its stated purpose.

If you need any assistance for more details regarding these accessories, ask your local Makita Service Center.

- Lock nut 48
- Lock nut wrench 28
- Sponge pad (Hook & loop)
- Wool pad 180 (Hook & loop)
- Wool bonnet 180
- Backing pad 165 (Hook & loop)
- Rubber pad 170
- Sleeve 18
- Side grip (auxiliary handle)
- Loop handle
- Makita genuine battery and charger

NOTE: Some items in the list may be included in the tool package as standard accessories. They may differ from country to country.

MAKITA LIMITED WARRANTY

Please refer to the annexed warranty sheet for the most current warranty terms applicable to this product. If annexed warranty sheet is not available, refer to the warranty details set forth at below website for your respective country.

United States of America: www.makitatools.com

Canada: www.makita.ca

Other countries: www.makita.com

SPÉCIFICATIONS

Modèle :		PV001G
Capacités maximales	Plateau en laine	180 mm (7")
	Bonnet en laine	180 mm (7")
Filetage de l'arbre		15,88 mm (5/8")
Vitesse nominale (n) / Vitesse à vide (n ₀)		2 200 /min
Longueur hors-tout (avec batterie BL4040)		531 mm (20-7/8")
Tension nominale		C.C. 36 V - 40 V max.
Poids net		3,0 - 4,4 kg (6,6 - 9,7 lbs)

- Étant donné l'évolution constante de notre programme de recherche et développement, les spécifications contenues dans ce manuel sont sujettes à modification sans préavis.
- Les spécifications et la batterie peuvent varier suivant les pays.
- Le poids peut varier selon les accessoires, y compris la batterie. La plus légère et la plus lourde combinaisons, selon la procédure EPTA 01/2014, sont indiquées dans le tableau.

Batteries et chargeurs applicables

Batterie	BL4020 / BL4025* / BL4040* / BL4050F* * : Batterie recommandée
Chargeur	DC40RA / DC40RB / DC40RC

- Suivant la région où vous habitez, il se peut que certaines des batteries et certains des chargeurs énumérés ci-dessus ne soient pas disponibles.

⚠ MISE EN GARDE : Utilisez exclusivement les batteries et chargeurs énumérés ci-dessus. L'utilisation de toute autre batterie ou tout autre chargeur peut entraîner une blessure et/ou un incendie.

CONSIGNES DE SÉCURITÉ

Consignes de sécurité générales pour outils électriques

⚠ MISE EN GARDE : Lisez toutes les mises en garde, instructions, illustrations et spécifications qui accompagnent cet outil électrique. Il y a un risque de décharge électrique, d'incendie et/ou de blessure grave si les instructions ci-dessous ne sont pas toutes respectées.

Conservez toutes les mises en garde et instructions pour référence future.

Le terme « outil électrique » qui figure dans les avertissements fait référence à un outil électrique branché sur une prise de courant (par un cordon d'alimentation) ou alimenté par batterie (sans fil).

Sécurité de la zone de travail

1. **Maintenez la zone de travail propre et bien éclairée.** Les zones de travail encombrées ou sombres ouvrent grande la porte aux accidents.
2. **N'utilisez pas les outils électriques dans les atmosphères explosives, par exemple en présence de liquides, gaz ou poussières inflammables.** Les outils électriques produisent des étincelles au contact desquelles la poussière ou les vapeurs peuvent s'enflammer.
3. **Assurez-vous qu'aucun enfant ou curieux ne s'approche pendant que vous utilisez un outil électrique.** Vous risquez de perdre la maîtrise de l'outil si votre attention est détournée.

Sécurité en matière d'électricité

1. **Les fiches d'outil électrique sont conçues pour s'adapter parfaitement aux prises de courant. Ne modifiez jamais la fiche de quelque façon que ce soit. N'utilisez aucun adaptateur de fiche sur les outils électriques avec mise à la terre.** En ne modifiant pas les fiches et en les insérant dans des prises de courant pour lesquelles elles ont été conçues, vous réduirez les risques de choc électrique.
2. **Évitez tout contact corporel avec les surfaces mises à la terre, telles que tuyaux, radiateurs, cuisinières et réfrigérateurs.** Le risque de choc électrique est plus élevé si votre corps se trouve mis à la terre.
3. **N'exposez pas les outils électriques à la pluie ou à l'eau.** La présence d'eau dans un outil électrique augmente le risque de choc électrique.

4. **Ne maltraitez pas le cordon. N'utilisez jamais le cordon pour transporter, tirer ou débrancher l'outil électrique. Maintenez le cordon à l'écart des sources de chaleur, de l'huile, des objets à bords tranchants et des pièces en mouvement.** Le risque de choc électrique est plus élevé lorsque les cordons sont endommagés ou enchevêtrés.
5. **Lorsque vous utilisez un outil électrique à l'extérieur, utilisez un cordon prolongateur conçu pour l'usage extérieur.** Les risques de choc électrique est moindre lorsqu'un cordon conçu pour l'usage extérieur est utilisé.
6. **Si vous devez utiliser un outil électrique dans un endroit humide, utilisez une source d'alimentation protégée par un disjoncteur de fuite à la terre.** L'utilisation d'un disjoncteur de fuite à la terre réduit le risque de choc électrique.
7. **Les outils électriques peuvent produire des champs électromagnétiques (CEM) qui ne sont pas préjudiciables à l'utilisateur.** Les utilisateurs de stimulateur cardiaque ou autres appareils médicaux similaires doivent toutefois demander conseil au fabricant et/ou à leur médecin avant d'utiliser cet outil électrique.
8. **Évitez d'être complaisant et d'ignorer les principes de sécurité de l'outil en raison de la familiarité acquise par un usage fréquent des outils.** Un geste imprudent peut entraîner une grave blessure en une fraction de seconde.
9. **Portez toujours des lunettes à coques de protection pour protéger vos yeux contre les blessures lors de l'utilisation d'outils électriques. Les lunettes à coques doivent être conformes à ANSI Z87.1 aux États-Unis.** L'employeur a la responsabilité d'imposer l'utilisation d'équipements de protection de sécurité adéquats aux utilisateurs des outils électriques et à toute autre personne se trouvant dans la zone de travail immédiate.

Utilisation et entretien des outils électriques

1. **Ne forcez pas l'outil électrique. Utilisez l'outil électrique adéquat suivant le type de travail à effectuer.** Si vous utilisez l'outil électrique adéquat et respectez le régime pour lequel il a été conçu, il effectuera un travail de meilleure qualité et plus sécuritaire.
2. **N'utilisez pas l'outil électrique s'il n'est pas possible de l'allumer et de l'éteindre avec son interrupteur.** Un outil électrique dont l'interrupteur est défectueux représente un danger et doit être réparé.
3. **Avant d'effectuer tout réglage, de remplacer un accessoire ou de ranger l'outil électrique, débranchez la fiche de la source d'alimentation et/ou retirez la batterie de l'outil électrique si elle est amovible.** Ces mesures préventives de sécurité réduisent les risques de démarrage accidentel de l'outil électrique.
4. **Après l'utilisation d'un outil électrique, rangez-le hors de portée des enfants et ne laissez aucune personne l'utiliser si elle n'est pas familiarisée avec l'outil électrique ou les présentes instructions d'utilisation.** Les outils électriques représentent un danger entre les mains de personnes qui n'en connaissent pas le mode d'utilisation.
5. **Effectuez l'entretien des outils électriques et des accessoires. Assurez-vous que les pièces mobiles ne sont pas désalignées ou coincées, qu'aucune pièce n'est cassée et que l'outil électrique n'a subi aucun dommage affectant son bon fonctionnement.** Le cas échéant, faites réparer l'outil électrique avant de l'utiliser. De nombreux accidents sont causés par des outils électriques mal entretenus.
6. **Maintenez les outils tranchants bien aiguisés et propres.** Un outil tranchant dont l'entretien est effectué correctement et dont les bords sont bien aiguisés risquera moins de se coincer et sera plus facile à maîtriser.
7. **Utilisez l'outil électrique, ses accessoires, ses embouts, etc., en respectant les présentes instructions, en tenant compte des conditions de travail et du type de travail à effectuer.** L'utilisation d'un outil électrique pour d'autres usages que ceux prévus peut entraîner une situation dangereuse.
8. **Gardez les poignées et surfaces de saisie sèches, propres et exemptes d'huile et de graisse.** Les poignées et surfaces de saisie glissantes ne permettent pas une manipulation sûre et une bonne maîtrise de l'outil dans les situations inattendues.

Sécurité personnelle

1. **Restez alerte, attentif à vos mouvements et faites preuve de bon sens lorsque vous utilisez un outil électrique. N'utilisez pas les outils électriques si vous êtes fatigué ou avez pris une drogue, de l'alcool ou un médicament.** Un moment d'inattention pendant l'utilisation d'un outil électrique peut entraîner une grave blessure.
2. **Portez des dispositifs de protection personnelle. Portez toujours une protection oculaire.** Les risques de blessure seront moins élevés si vous utilisez des dispositifs de protection tels qu'un masque anti-poussière, des chaussures à semelle antidérapante, une coiffure résistante ou une protection d'oreilles.
3. **Évitez les démarrages accidentels. Assurez-vous que l'interrupteur est en position d'arrêt avant de brancher l'outil à la prise de courant et/ou au bloc-piles, et avant de prendre ou de transporter l'outil.** Vous ouvrez la porte aux accidents si vous transportez les outils électriques avec le doigt sur l'interrupteur ou si vous les branchez alors que l'interrupteur est en position de marche.
4. **Retirez toute clé de réglage ou de serrage avant de mettre l'outil électrique sous tension.** Toute clé laissée en place sur une pièce rotative de l'outil électrique peut entraîner une blessure.
5. **Ne vous étirez pas exagérément. Assurez-vous d'une bonne prise au sol et d'un bon équilibre en tout temps.** Cela vous permettra d'avoir une meilleure maîtrise de l'outil électrique dans les situations imprévues.
6. **Portez des vêtements adéquats. Ne portez ni vêtements amples ni bijoux. Gardez vos cheveux, vêtements et gants à l'écart des pièces en mouvement.** Les vêtements amples, bijoux ou cheveux longs peuvent être happés par les pièces en mouvement.
7. **Si des accessoires sont fournis pour raccorder un appareil d'aspiration et de collecte de la poussière, assurez-vous qu'ils sont correctement raccordés et qu'ils sont utilisés de manière adéquate.** L'utilisation d'un appareil de collecte permet de réduire les risques liés à la présence de poussière dans l'air.

9. Lors de l'utilisation de l'outil, ne portez pas de gants de travail en tissu qui risquent de s'enchevêtrer dans l'outil. L'enchevêtrement de gants de travail en tissu dans les pièces en mouvement peut entraîner une blessure.

Utilisation et entretien des outils alimentés par batterie

1. **Pour recharger, utilisez uniquement le chargeur spécifié par le fabricant.** L'utilisation d'un chargeur conçu pour un type donné de bloc-piles comporte un risque d'incendie lorsqu'il est utilisé avec un autre type de bloc-piles.
2. **N'utilisez un outil électrique qu'avec le bloc-piles conçu spécifiquement pour cet outil.** Il y a un risque de blessure ou d'incendie si un autre bloc-piles est utilisé.
3. **Lorsque vous n'utilisez pas le bloc-piles, rangez-le à l'écart des objets métalliques tels que trombones, pièces de monnaie, clés, clous, vis ou autres petits objets métalliques qui risqueraient d'établir une connexion entre les bornes.** La mise en court-circuit des bornes de batterie peut causer des brûlures ou un incendie.
4. **Dans des conditions d'utilisation inadéquates de la batterie, il peut y avoir fuite d'électrolyte; évitez tout contact avec ce liquide. En cas de contact accidentel, rincez avec beaucoup d'eau. Si le liquide pénètre dans vos yeux, il faut aussi consulter un médecin.** L'électrolyte qui s'échappe de la batterie peut causer des irritations ou des brûlures.
5. **N'utilisez pas une batterie ou un outil si l'est endommagé ou modifié.** Les batteries endommagées ou modifiées peuvent avoir un comportement imprévisible dont peut résulter un incendie, une explosion ou un risque de blessure.
6. **N'exposez pas une batterie ou un outil au feu ou à une température excessive.** L'exposition au feu ou à une température supérieure à 130 °C peut entraîner une explosion.
7. **Suivez toutes les instructions de charge et ne chargez pas la batterie ou l'outil à l'extérieur de la plage de température spécifiée dans les instructions.** Charger de manière inadéquate ou à des températures hors de la plage spécifiée peut endommager la batterie et augmenter le risque d'incendie.

Réparation

1. **Faites réparer votre outil électrique par un réparateur qualifié qui utilise des pièces de rechange identiques aux pièces d'origine.** Le maintien de la sûreté de l'outil électrique sera ainsi assuré.
2. **N'essayez jamais de réparer les batteries endommagées.** La réparation des batteries ne doit être effectuée que par le fabricant ou par un fournisseur de service après-vente agréé.
3. **Suivez les instructions de lubrification et de remplacement des accessoires.**
4. **Ne modifiez pas ou n'essayez pas de réparer l'appareil ou la batterie autrement que tel qu'indiqué dans les instructions d'utilisation et d'entretien.**

Consignes de sécurité pour polisseuse sans fil

Consignes de sécurité pour les travaux de polissage :

1. **Cet outil électrique est conçu pour fonctionner en tant que polisseuse. Veuillez lire l'ensemble des consignes de sécurité, instructions, illustrations et spécifications fournies pour cet outil électrique.** Il existe un risque de décharge électrique, d'incendie et/ou de blessure grave si toutes les instructions énumérées ci-dessous ne sont pas respectées.
2. **Il ne faut pas exécuter des travaux tels que le meulage, le ponçage, le passage à la brosse métallique, la découpe ou le tronçonnage avec cet outil électrique.** Les utilisations pour lesquelles l'outil électrique n'a pas été conçu peuvent être dangereuses et entraîner une blessure.
3. **Ne convertissez pas cet outil électrique pour l'utiliser d'une manière qui n'est pas conçue et spécifiée par le fabricant de l'outil.** Une telle conversion peut entraîner une perte de contrôle et des blessures corporelles graves.
4. **N'utilisez pas d'accessoire n'étant pas conçu et spécifié spécifiquement par le fabricant de l'outil.** Même si vous pouvez fixer l'accessoire à l'outil électrique, cela ne garantit pas pour autant un fonctionnement sécuritaire.
5. **La vitesse nominale de l'accessoire doit être au moins égale à la vitesse maximale inscrite sur l'outil électrique.** En tournant plus vite que leur vitesse nominale, les accessoires peuvent casser et voler en éclats.
6. **Le diamètre extérieur et l'épaisseur de votre accessoire ne doivent pas dépasser la capacité nominale de votre outil électrique.** Il est impossible de protéger ou de contrôler adéquatement les accessoires d'une dimension inappropriée.
7. **Les dimensions du montage des accessoires doivent s'ajuster aux dimensions du matériel de montage de l'outil électrique.** Les accessoires non adaptés au matériel de montage de l'outil électrique seront mal équilibrés, vibreront excessivement et risquent d'entraîner une perte de maîtrise de l'outil.
8. **N'utilisez pas un accessoire endommagé.** Avant chaque utilisation, inspectez les accessoires pour vérifier l'absence de copeaux et fissures sur les accessoires tels que les meules abrasives, l'absence de fissures ou d'usure excessive sur le tampon d'appoint, et l'absence de fils lâches ou fissurés sur la brosse métallique. Si vous échappez l'outil électrique ou un accessoire, assurez-vous de l'absence de dommages ou installez un accessoire non endommagé. Après avoir vérifié et installé un accessoire, assurez-vous que personne, y compris vous-même, ne se trouve dans la trajectoire de l'accessoire en rotation, et faites tourner l'outil électrique à vide et à vitesse maximale pendant une minute. Si l'accessoire est endommagé, il devrait normalement se casser pendant cet essai.

9. **Portez des dispositifs de protection personnelle. Selon l'application, utilisez un écran facial, des lunettes à coques ou des lunettes de sécurité. Au besoin, portez un masque antipoussière, des protections d'oreilles, des gants et un tablier de travail capable d'arrêter les petits fragments abrasifs ou les fragments de pièce.** La protection pour les yeux doit pouvoir arrêter les débris projetés lors des diverses applications. Le masque antipoussières ou le masque filtrant doit pouvoir filtrer les particules générées par l'application particulière. L'exposition prolongée à un bruit de grande intensité peut entraîner une perte auditive.
10. **Tenez toutes les personnes présentes à une distance sécuritaire de votre zone de travail. Toute personne pénétrant dans votre zone de travail doit porter des dispositifs de protection personnelle.** Des fragments de pièce ou d'un accessoire cassé peuvent s'envoler et blesser quelqu'un même au-delà de la zone de travail immédiate.
11. **Ne reposez jamais l'outil électrique tant que l'accessoire ne s'est pas complètement immobilisé.** L'accessoire en rotation risquerait d'accrocher la surface et d'entraîner la perte de maîtrise de l'outil électrique.
12. **Ne faites pas fonctionner l'outil électrique lorsque vous le transportez.** Un contact accidentel avec l'accessoire en rotation pourrait accrocher vos vêtements et entraîner l'accessoire vers votre corps.
13. **Nettoyez régulièrement les orifices d'aération de l'outil électrique.** Le ventilateur du moteur aspire les poussières à l'intérieur du boîtier, et l'accumulation excessive de métal en poudre peut entraîner un risque électrique.
14. **N'utilisez pas l'outil électrique près de matériaux inflammables.** Les étincelles risqueraient de faire prendre en feu ces matériaux.
15. **N'utilisez pas d'accessoires qui requièrent un liquide de refroidissement.** L'utilisation d'eau ou autre liquide de refroidissement peut entraîner une électrocution ou une décharge électrique.
16. **Ne laissez pas tourner librement une partie dépassant du bonnet de polissage ou ses ficelles de fixation. Dissimulez ou coupez toute ficelle de fixation qui dépasse.** En tournant, les ficelles qui dépassent peuvent s'entremêler dans vos doigts ou accrocher la pièce.

Recul et mises en gardes connexes

Le recul est une réaction brusque qui se produit lorsqu'une meule en rotation, un tampon d'appoint, une brosse ou autre accessoire se coince ou accroche. Le coincement ou l'accrochage entraîne l'arrêt rapide de l'accessoire en rotation, ce qui en retour propulse l'outil électrique hors de contrôle dans le sens opposé à la rotation de l'accessoire au point de grippage. Par exemple, si une meule abrasive accroche dans la pièce ou s'y coince, le bord de la meule, au point où elle se coince, plongera dans le matériau, faisant du même coup remonter ou reculer la meule hors de la pièce. La meule peut alors bondir vers l'utilisateur ou dans le sens opposé, selon la direction du mouvement de la meule au point de coïncage. Les meules abrasives peuvent également se casser dans ces conditions.

Le recul est le résultat d'une mauvaise utilisation de l'outil électrique et/ou de mauvaises méthodes ou conditions d'utilisation ; on peut l'éviter en prenant les précautions adéquates indiquées ci-dessous.

1. **Maintenez une prise ferme avec les deux mains sur l'outil électrique, et placez votre corps et vos bras de manière à pouvoir résister à la force exercée lors des reculs. Utilisez toujours la poignée auxiliaire, le cas échéant, pour contrôler au maximum le recul ou la réaction de couple durant le démarrage.** Si les précautions adéquates sont prises, l'utilisateur peut contrôler les réactions de couple ou les forces de recul.
2. **Ne mettez jamais votre main près de l'accessoire en rotation.** L'accessoire pourrait reculer sur votre main.
3. **Ne placez pas votre corps dans la zone où l'outil électrique se déplacera en cas de recul.** Le recul propulsera l'outil dans le sens opposé au mouvement de la meule au point d'accrochage.
4. **Soyez particulièrement prudent lorsque vous travaillez sur des angles, des rebords coupants, etc. Évitez de faire bondir ou d'accrocher l'accessoire.** Dans les coins et sur les rebords aigus, ainsi que lorsqu'il rebondit, l'accessoire en rotation a tendance à accrocher, entraînant une perte de maîtrise ou un recul.
5. **N'attachez pas de chaîne de scie, de lame de sculpture, de meule diamant segmentée avec un espace périphérique de plus de 10 mm ou une lame en dents de scie.** De telles lames créent fréquemment un recul et une perte de contrôle.

Consignes de sécurité additionnelles :

1. **Prenez garde d'endommager l'arbre, le flasque (tout particulièrement sa surface de pose) ou le contre-écrou. La meule risque de casser si ces pièces sont endommagées.**
2. **Assurez-vous que la meule n'entre pas en contact avec la pièce avant de mettre l'outil sous tension.**
3. **Avant d'utiliser l'outil sur la pièce elle-même, laissez-le tourner un instant. Soyez attentif à toute vibration ou sautellement pouvant indiquer que la meule n'est pas bien installée ou qu'elle est mal équilibrée.**
4. **Effectuez le polissage avec la face spécifiée de la meule.**
5. **N'abandonnez pas l'outil alors qu'il tourne. Ne faites fonctionner l'outil qu'une fois que vous l'avez bien en main.**
6. **Ne touchez pas la pièce immédiatement après l'utilisation ; elle peut être très chaude et brûler votre peau.**
7. **Ne touchez pas les accessoires immédiatement après l'utilisation ; ils peuvent être très chauds et brûler votre peau.**
8. **Respectez les instructions du fabricant pour monter et utiliser les meules correctement. Manipulez et rangez les meules soigneusement.**
9. **Avec les outils conçus pour la pose d'une meule à trou fileté, assurez-vous que le filetage de la meule est assez long par rapport à la longueur de l'arbre.**
10. **Assurez-vous que la pièce est adéquatement soutenue.**
11. **Gardez à l'esprit que la meule continue de tourner après la mise hors tension de l'outil.**
12. **N'utilisez l'outil sur aucun matériau contenant de l'amiante.**

13. **N'utilisez pas de gants de travail en tissu pendant l'utilisation.** Les fibres des gants en tissu peuvent pénétrer dans l'outil et l'endommager.

CONSERVEZ CE MODE D'EMPLOI.

⚠ MISE EN GARDE : NE VOUS LAISSEZ PAS tromper (au fil d'une utilisation répétée) par un sentiment d'aisance ou de familiarité avec le produit en négligeant les consignes de sécurité qui accompagnent le produit. L'UTILISATION INCORRECTE ou l'ignorance des consignes de sécurité du présent manuel d'instructions comporte un risque de blessure grave.

Symboles

Les symboles utilisés pour l'outil sont indiqués ci-dessous.

v	volts
— — —	courant continu
n	vitesse nominale
n ₀	vitesse à vide
... /min r /min	nombre d'oscillations par minute

Consignes de sécurité importantes pour la batterie

- Avant d'utiliser la batterie, lisez toutes les instructions et les mises en garde apposées sur (1) le chargeur de batterie, (2) la batterie et (3) le produit utilisant la batterie.
- Ne démontez pas et ne modifiez pas la batterie. Cela peut entraîner un incendie, une chaleur excessive ou une explosion.
- Cessez immédiatement l'utilisation si le temps de fonctionnement devient excessivement court. Il y a risque de surchauffe, de brûlures, voire d'explosion.
- Si l'électrolyte pénètre dans vos yeux, rincez-les à l'eau claire et consultez immédiatement un médecin. Il y a risque de perte de la vue.
- Ne court-circuitez pas la batterie :
 - Ne touchez les bornes avec aucun matériau conducteur.
 - Évitez de ranger la batterie dans un conteneur avec d'autres objets métalliques tels que clous, pièces de monnaie, etc.
 - Évitez d'exposer la batterie à l'eau ou à la pluie. Un court-circuit de la batterie pourrait provoquer un fort courant, une surchauffe, parfois des brûlures et même une panne.
- Ne rangez pas et n'utilisez pas l'outil ou la batterie dans des emplacements où la température peut atteindre ou dépasser 50 °C (122 °F).

- Ne jetez pas la batterie au feu même si elle est sérieusement endommagée ou complètement épuisée. La batterie peut exploser au contact du feu.
- Évitez de clouer, de couper, d'écraser, de lancer ou d'échapper la batterie, ou de heurter un objet dur contre la batterie. Cela peut entraîner un incendie, une chaleur excessive ou une explosion.
- N'utilisez pas une batterie si elle est endommagée.
- Les batteries lithium-ion fournies sont soumises aux exigences de la législation sur les marchandises dangereuses. Des exigences particulières sur l'emballage et l'étiquetage doivent être respectées lors du transport commercial par des tiers, des transitaires, etc. Pour préparer la marchandise à expédier, consultez un expert en matériaux dangereux si nécessaire. Respectez aussi les éventuelles réglementations nationales plus détaillées. Recouvrez de ruban isolant les contacts exposés, et emballez la batterie de sorte qu'elle ne puisse pas se déplacer à l'intérieur de l'emballage.
- Lors de l'élimination de la batterie, retirez-la de l'outil et éliminez-la dans un endroit sûr. Respectez la réglementation locale concernant l'élimination de la batterie.
- N'utilisez les batteries qu'avec les produits spécifiés par Makita. Installer les batteries sur des produits non conformes peut entraîner un incendie, une chaleur excessive, une explosion ou une fuite d'électrolyte.
- Si l'outil reste inutilisé pour une période prolongée, la batterie doit en être retirée.
- Pendant et après l'utilisation, la batterie peut accumuler de la chaleur, ce qui peut causer des brûlures ou des brûlures à basse température. Faites attention lors de la manipulation des batteries chaudes.
- Ne touchez pas la borne de l'outil immédiatement après l'utilisation, car elle peut être assez chaude pour causer des brûlures.
- Ne laissez pas les copeaux, les poussières ou la terre se coincer dans les bornes, les trous et les rainures de la batterie. Cela pourrait causer un réchauffement, un incendie, un éclatement et une défaillance de l'outil ou de la batterie et entraîner des brûlures ou des blessures corporelles.
- À moins que l'outil ne soit compatible avec l'utilisation à proximité des lignes électriques haute tension, n'utilisez pas la batterie à proximité d'une ligne électrique haute tension. Cela peut entraîner un dysfonctionnement ou une panne de l'outil ou de la batterie.
- Gardez la batterie à l'écart des enfants.

CONSERVEZ CES INSTRUCTIONS.

⚠ ATTENTION : Utilisez exclusivement les batteries fabriquées par Makita. Les batteries autres que celles fabriquées par Makita ou les batteries modifiées peuvent exploser et causer un incendie, une blessure ou des dommages. Cela annule aussi la garantie Makita de l'outil et du chargeur Makita.

Conseils pour maintenir la durée de service maximale de la batterie

1. Rechargez la batterie avant qu'elle ne soit complètement déchargée. Arrêtez toujours l'outil et rechargez la batterie quand vous remarquez que la puissance de l'outil diminue.
2. Ne rechargez jamais une batterie complètement chargée. La surcharge réduit la durée de service de la batterie.
3. Chargez la batterie à une température ambiante comprise entre 10 °C et 40 °C (50 °F et 104 °F). Si la batterie est chaude, laissez-la refroidir avant de la charger.
4. Lorsque vous n'utilisez pas la batterie, retirez-la de l'outil ou du chargeur.
5. Chargez la batterie si elle est restée inutilisée pendant une période prolongée (plus de six mois).

DESCRIPTION DU FONCTIONNEMENT

ATTENTION : Assurez-vous toujours que l'outil est éteint et que sa batterie est retirée avant de l'ajuster ou de vérifier son fonctionnement.

Installation ou retrait de la batterie

ATTENTION : Éteignez toujours l'outil avant d'installer ou de retirer la batterie.

ATTENTION : Tenez fermement l'outil et la batterie lors de l'installation ou du retrait de cette dernière. Si l'outil et la batterie ne sont pas tenus fermement, ils risquent de vous glisser des mains et de subir des dommages, ou encore de vous blesser.

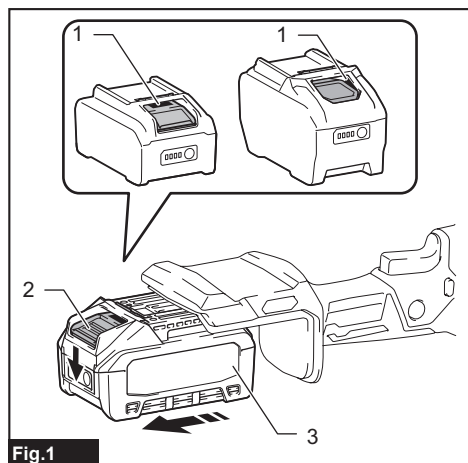


Fig.1

► 1. Indicateur rouge 2. Bouton 3. Batterie

Pour retirer la batterie, faites-la glisser hors de l'outil tout en glissant le bouton qui se trouve à l'avant.

Pour installer la batterie, alignez sa languette sur la rainure pratiquée dans le boîtier et glissez la batterie en place. Insérez-la à fond jusqu'à ce que vous entendiez un léger déclic. Si vous pouvez voir l'indicateur rouge tel qu'illustré sur la figure, cela signifie qu'elle n'est pas complètement verrouillée.

ATTENTION : Installez toujours la batterie à fond jusqu'à ce que vous ne puissiez plus voir l'indicateur rouge. Autrement elle risque de tomber accidentellement de l'outil et d'entraîner des blessures.

ATTENTION : Ne forcez pas sur la batterie pour l'installer. Si la batterie ne glisse pas facilement, c'est qu'elle n'est pas insérée correctement.

Affichage de la charge restante de la batterie

Appuyez sur le bouton de vérification de la batterie pour afficher la charge restante de la batterie. Les témoins indicateurs s'allument pendant quelques secondes.

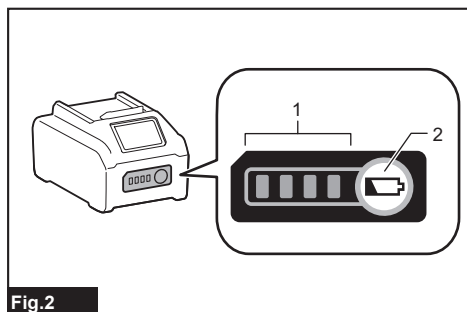


Fig.2

► 1. Témoins indicateurs 2. Bouton de vérification

Témoins indicateurs			Charge restante
Allumé	Éteint	Clignotant	
■ ■ ■ ■			75 % à 100 %
■ ■ ■ □			50 % à 75 %
■ ■ □ □			25 % à 50 %
■ □ □ □			0 % à 25 %
▣ □ □ □			Chargez la batterie.
■ ■ □ □			La batterie a peut-être mal fonctionné.
□ □ ■ ■			

NOTE : Suivant les conditions d'utilisation et la température ambiante, il se peut que l'indication soit légèrement différente de la charge réelle.

NOTE : La première lampe témoin (à l'extrémité gauche) clignote lorsque le dispositif de protection de la batterie s'active.

Dispositif de protection de l'outil et de la batterie

L'outil est équipé d'un système de protection d'outil/batterie. Ce système coupe automatiquement l'alimentation du moteur pour augmenter la durée de vie de l'outil et de la batterie. L'outil s'arrête automatiquement pendant l'utilisation lorsque l'outil ou la batterie est dans l'une des situations suivantes :

Protection contre la surcharge

Lorsque l'outil ou la batterie est utilisé d'une façon qui lui fait consommer un courant anormalement élevé, l'outil s'arrête automatiquement. Le cas échéant, éteignez l'outil et cessez l'application qui a causé sa surcharge. Rallumez ensuite l'outil pour redémarrer.

Protection contre la surchauffe

Lorsque l'outil ou la batterie surchauffe, l'outil s'arrête automatiquement. Il faut alors laisser refroidir l'outil ou la batterie avant de rallumer l'outil.

Protection contre la décharge excessive

Lorsque la charge de la batterie est insuffisante, l'outil s'arrête automatiquement. Dans ce cas, retirez la batterie de l'outil et chargez la batterie.

Protections contre d'autres causes

Le dispositif de protection est aussi conçu pour d'autres causes qui pourraient endommager l'outil et permet d'arrêter automatiquement l'outil. Prenez toutes les mesures suivantes pour éliminer les causes lorsque le fonctionnement de l'outil a été interrompu temporairement ou arrêté.

1. Éteignez l'outil et remettez-le de nouveau en marche.
2. Chargez la/les batterie(s) ou remplacez-la/les par une/des batteries rechargée(s).
3. Laissez l'outil et la/les batteries se refroidir.


Si la situation ne s'améliore pas en restaurant le système de protection, contactez votre centre de service Makita local.

Interrupteur

⚠ATTENTION : Avant d'insérer la batterie dans l'outil, vérifiez toujours que la gâchette fonctionne bien et revient en position d'arrêt lorsque libérée.

⚠ATTENTION : Il est possible de verrouiller la gâchette en position de marche pour un plus grand confort de l'utilisateur lors d'une utilisation prolongée. Lorsque vous verrouillez l'outil en position de marche, soyez prudent et maintenez une prise ferme sur l'outil.

⚠ATTENTION : N'installez pas la batterie avec le bouton de verrouillage engagé.

⚠ATTENTION : Lorsque vous n'utilisez pas l'outil, enfoncez le bouton de verrouillage de la gâchette du côté  pour verrouiller la gâchette sur la position d'arrêt.

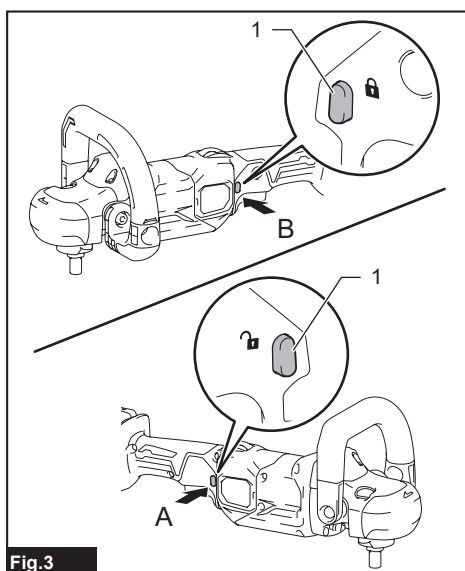


Fig. 3

- 1. Bouton de verrouillage de la gâchette

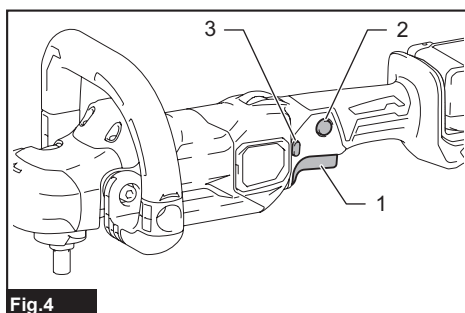




Fig. 4

- 1. Gâchette 2. Bouton de verrouillage 3. Bouton de verrouillage de la gâchette

Pour éviter l'activation accidentelle de la gâchette, l'outil est doté d'un bouton de verrouillage de la gâchette. Pour faire démarrer l'outil, enfoncez le bouton de verrouillage de la gâchette du côté A () et appuyez sur la gâchette. La vitesse de l'outil augmente à mesure que l'on accroît la pression sur la gâchette. Pour arrêter l'outil, relâchez la gâchette. Après l'utilisation, enfoncez le bouton de verrouillage de la gâchette du côté B () .

Pour obtenir un fonctionnement continu, enfoncez le bouton de verrouillage tout en appuyant sur la gâchette, puis libérez la gâchette. Pour arrêter l'outil, appuyez à fond sur la gâchette puis libérez-la.

Cadran de réglage de la vitesse

Il est possible de changer la vitesse de rotation en utilisant le cadran de réglage de la vitesse sur le haut de la poignée d'interrupteur. Tournez le cadran de réglage de la vitesse pour aligner les pointeurs avec la vitesse de rotation souhaitée indiquée sur l'échelle de vitesse. La vitesse de rotation peut être ajustée de 600 (tr/min) à 2 200 (tr/min), et une vitesse cible peut être obtenue lorsque la gâchette est entièrement enfoncée.

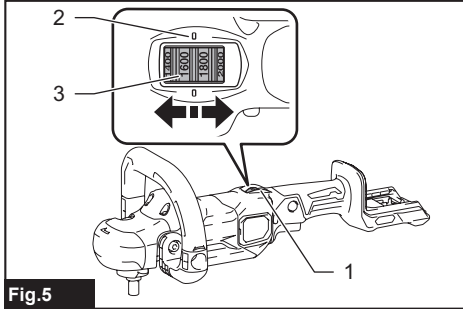


Fig.5

- 1. Cadran de réglage de la vitesse 2. Pointeur
3. Échelle de vitesse

AVIS : Si l'outil est utilisé de manière continue à vitesse réduite sur une période prolongée, le moteur sera surchargé et cela entraînera un mauvais fonctionnement de l'outil.

AVIS : Le cadran de réglage de la vitesse tourne entre 600 et 2 200 sur l'échelle de vitesse. Évitez de tourner le cadran vers l'avant et l'arrière, car cela pourrait endommager l'outil.

NOTE : Assurez-vous de lire les chiffres sur l'échelle comme un indicateur, car la vitesse réelle peut varier légèrement.

Blocage de l'arbre

Appuyez sur le blocage de l'arbre pour empêcher l'arbre de tourner lors de l'installation et du retrait des accessoires.

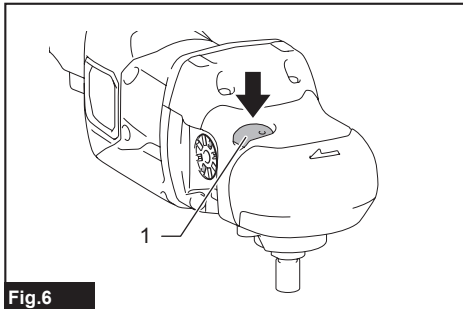


Fig.6

- 1. Blocage de l'arbre

AVIS : N'activez jamais le blocage de l'arbre alors que l'arbre bouge. Vous pourriez endommager l'outil.

Fonction de prévention du redémarrage accidentel

L'outil ne démarrera pas si vous installez la batterie tout en appuyant sur la gâchette ou en verrouillant la gâchette. Pour faire démarrer l'outil, libérez la gâchette puis appuyez sur la gâchette.

Fonctions électroniques

L'outil est doté des fonctions électroniques suivantes qui facilitent son utilisation.

Commande de vitesse constante

Permet d'obtenir une finition précise puisque la vitesse de rotation est maintenue constante même dans des conditions de lourde charge.

Fonction de démarrage en douceur

La fonction de démarrage en douceur atténue le choc de démarrage et fait démarrer l'outil doucement.

ASSEMBLAGE

ATTENTION : Assurez-vous toujours que l'outil est éteint et que sa batterie est retirée avant d'effectuer tout travail dessus.

Installation de la poignée annulaire

ATTENTION : Assurez-vous de tenir fermement l'outil avec les deux mains en positionnant une main sur la poignée d'interrupteur et l'autre sur la poignée annulaire, la poignée latérale ou la tête d'outil.

ATTENTION : Avant d'utiliser l'outil, assurez-vous toujours que la poignée annulaire est posée de façon sûre.

1. Placez la poignée annulaire sur la tête d'outil en passant cette dernière à travers la boucle de la poignée.

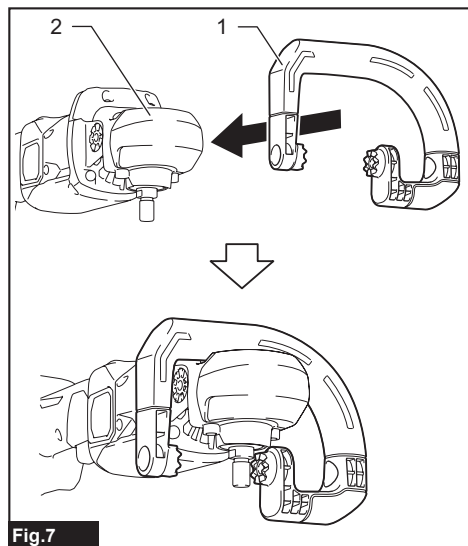


Fig.7

► 1. Poignée annulaire 2. Tête d'outil

2. Fixez l'extrémité droite de la poignée annulaire sur le trou de montage sur le côté de la tête d'outil en raccordant correctement les encoches de guidage sur l'extrémité de poignée dans les rainures de guidage autour du trou de montage.

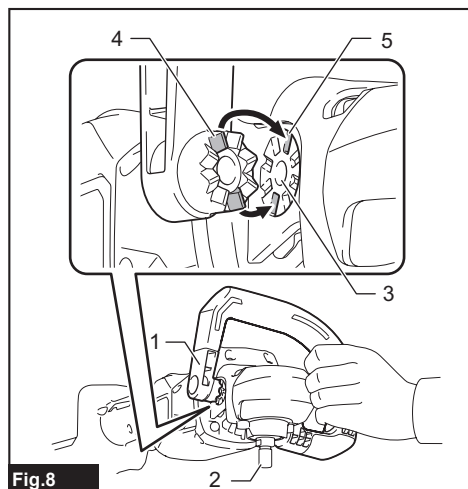


Fig.8

► 1. Extrémité droite de la poignée annulaire 2. Arbre 3. Trou de montage 4. Encoche de guidage 5. Rainure de guidage

3. Tenez la poignée annulaire et tirez l'extrémité de boucle par-dessus le trou de montage sur l'autre côté de la tête d'outil en raffinant les angles pour engager la position de la poignée.

4. Posez et serrez les boulons hexagonaux dans les trous de montage sur les deux côtés de la tête d'outil pour fixer la poignée annulaire en place.

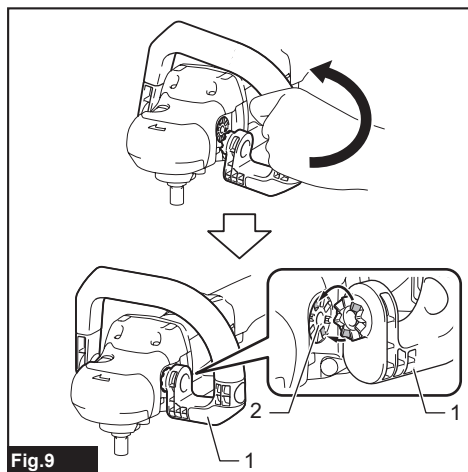


Fig.9

► 1. Extrémité de boucle de la poignée annulaire 2. Trou de montage

NOTE : La poignée annulaire a une forme asymétrique qui peut être appliquée pour la main gauche ou droite, ce qui sa prise plus confortable pour vous et facilite le polissage.

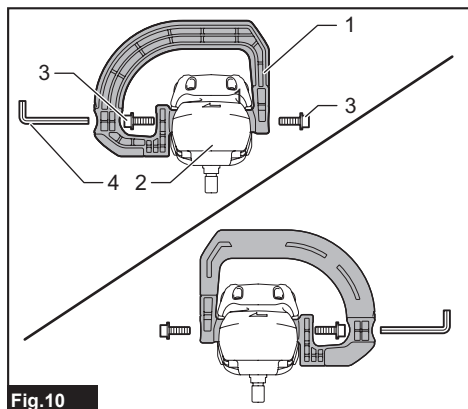


Fig.10

► 1. Poignée annulaire 2. Tête d'outil 3. Boulon hexagonal 4. Clé hexagonale

NOTE : La poignée annulaire peut être laissée vers l'arrière et vers l'avant selon la position que vous préférez. Desserrez les boulons hexagonaux, déplacez la poignée à l'angle souhaité, puis resserrez les boulons pour verrouiller l'angle.

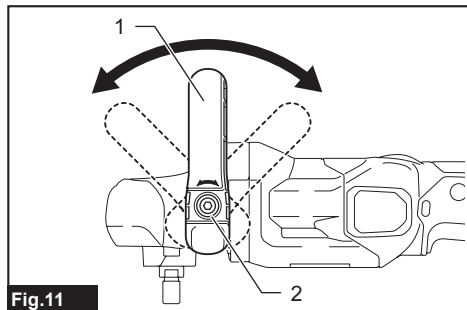


Fig.11

► 1. Poignée annulaire 2. Boulon hexagonal

Pose de la poignée latérale

ATTENTION : Assurez-vous de tenir fermement l'outil avec les deux mains en positionnant une main sur la poignée d'interrupteur et l'autre sur la poignée annulaire, la poignée latérale ou la tête d'outil.

ATTENTION : Avant d'utiliser l'outil, assurez-vous que la poignée latérale est installée de façon sûre.

Vissez solidement la poignée latérale dans le trou de montage des deux côtés de la tête d'outil.

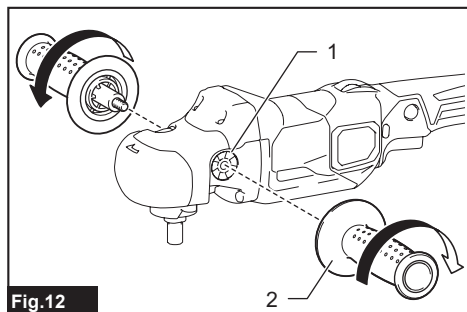


Fig.12

► 1. Trou de montage 2. Poignée latérale

Pose et retrait du plateau en laine

Accessoire en option

ATTENTION : Assurez-vous que le coussinet de support est bien fixé. S'il est mal serré, il se déséquilibrera et causera une vibration excessive pouvant entraîner une perte de maîtrise de l'outil.

ATTENTION : Assurez-vous que le plateau en laine et le coussinet de support sont alignés et fermement fixés. Autrement, le plateau en laine causera une vibration excessive pouvant entraîner une perte de maîtrise de l'outil, ou le plateau en laine risque d'être éjecté de l'outil.

ATTENTION : Utilisez exclusivement des plateaux en laine autoagrippants pour polissage.

AVIS : N'activez jamais le blocage de l'arbre alors que l'arbre bouge. Vous pourriez endommager l'outil.

AVIS : Nettoyez régulièrement les accessoires et l'arbre pour retirer la poussière et les débris. Essayez les composants avec un chiffon humide dans de l'eau savonneuse au besoin.

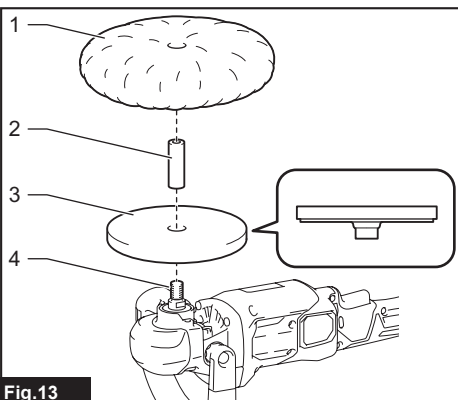


Fig.13

► 1. Plateau en laine 2. Manchon 18 3. Coussinet de support 4. Arbre

Installation du plateau en laine

1. Appuyez sur le blocage de l'arbre pour éviter la rotation de l'arbre et enflez le coussinet de support dans l'arbre.
2. Serrez solidement à la main le coussinet de support.

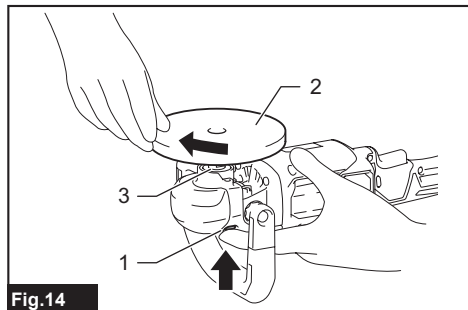


Fig.14

- 1. Blocage de l'arbre 2. Coussinet de support 3. Arbre

3. Insérez le manchon 18 dans le trou central du coussinet de support.
4. Installez le plateau en laine sur le coussinet de support en enfilant le manchon 18 à travers le trou central du plateau en laine. Utilisez le manchon 18 comme guide de positionnement pour aligner le plateau en laine de façon précise le long du coussinet de support.
5. Tirez le manchon 18 hors du trou central du coussinet de support.

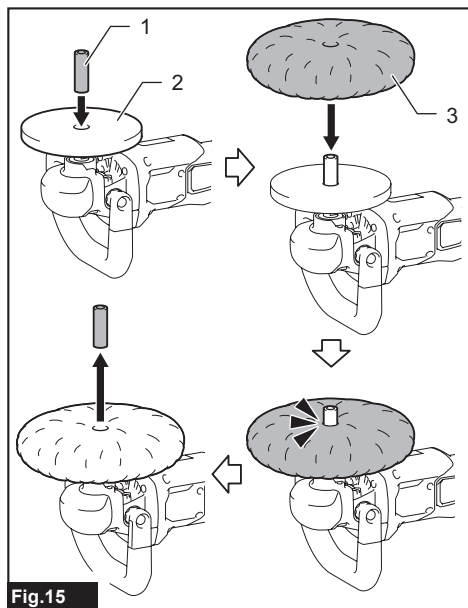


Fig.15

- 1. Manchon 18 2. Coussinet de support 3. Plateau en laine

Retrait du plateau en laine

1. Pelez délicatement le plateau en laine à l'écart du coussinet de support.
2. Dévissez le coussinet de support tout en appuyant sur le blocage de l'arbre.

Pose et retrait du bonnet en laine

Accessoire en option

ATTENTION : Assurez-vous que le plateau en caoutchouc est bien fixé. S'il est mal serré, il se déséquilibrera et causera une vibration excessive pouvant entraîner une perte de maîtrise de l'outil.

AVIS : N'activez jamais le blocage de l'arbre alors que l'arbre bouge. Vous pourriez endommager l'outil.

AVIS : Nettoyez régulièrement les accessoires et l'arbre pour retirer la poussière et les débris. Essuyez les composants avec un chiffon humide dans de l'eau savonneuse au besoin.

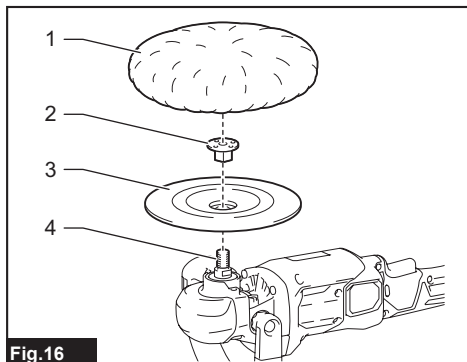


Fig.16

- 1. Bonnet en laine 2. Contre-écrou 3. Plateau en caoutchouc 4. Arbre

Installation du bonnet en laine

1. Appuyez sur le blocage de l'arbre pour éviter la rotation de l'arbre.
2. Mettez le plateau en caoutchouc par-dessus l'arbre en enfilant le filetage de l'arbre à travers le trou central du plateau en caoutchouc.
3. Posez le contre-écrou sur l'arbre, puis serrez-le dans le sens des aiguilles d'une montre en utilisant la clé à contre-écrou pour fixer le plateau en caoutchouc fermement en place.

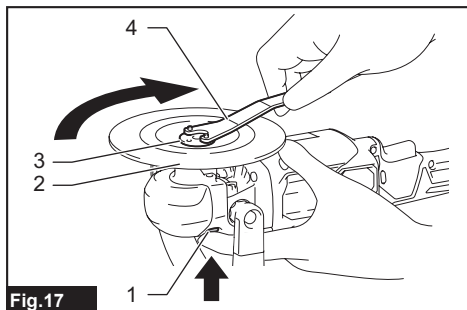


Fig.17

- 1. Blocage de l'arbre 2. Plateau en caoutchouc 3. Contre-écrou 4. Clé à contre-écrou

4. Disposez le bonnet en laine sur le plateau en caoutchouc et couvrez-le complètement.
5. Retournez l'outil sur lui-même. Tirez solidement les ficelles et faite un nœud de lacet. Puis insérez le nœud et toute ficelle libre entre le bonnet en laine et le plateau en caoutchouc.

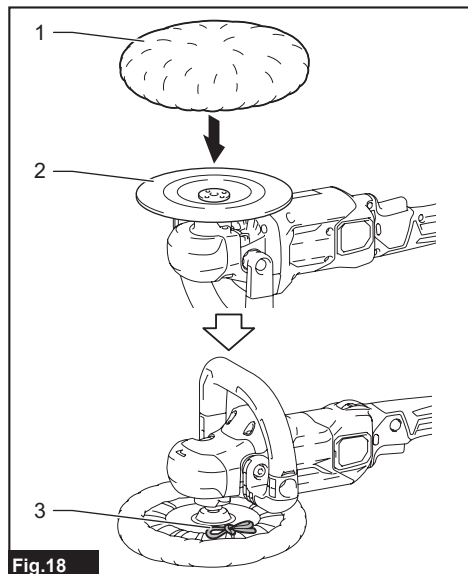


Fig.18

- 1. Bonnet en laine 2. Plateau en caoutchouc
3. Ficelles

Retrait du bonnet en laine

1. Défaites le nœud de lacet et retirez délicatement le bonnet en laine du plateau en caoutchouc.
2. Desserrez le contre-écrou dans le sens contraire des aiguilles d'une montre avec la clé à contre-écrou tout en appuyant sur le blocage de l'arbre. Tirez le contre-écrou et le plateau en caoutchouc hors de l'arbre.

UTILISATION

ATTENTION : Utilisez uniquement des plateaux de polissage Makita d'origine (accessoires en option).

ATTENTION : Assurez-vous de tenir fermement l'outil avec les deux mains en positionnant une main sur la poignée d'interrupteur et l'autre sur la poignée annulaire, la poignée latérale ou la tête d'outil.

ATTENTION : Avant d'utiliser l'outil, assurez-vous toujours que la poignée annulaire ou la poignée latérale est posée de façon sûre.

ATTENTION : Assurez-vous que le matériau à travailler est fixé et stable. La chute d'un objet peut causer une blessure.

ATTENTION : Ne faites pas tourner l'outil à charge élevée pendant une période prolongée. Cela peut entraîner un dysfonctionnement de l'outil pouvant causer une décharge électrique, un incendie et/ou une grave blessure.

ATTENTION : Évitez soigneusement de toucher la pièce en rotation.

AVIS : Ne forcez jamais l'outil. Une pression excessive peut affecter l'efficacité du polissage, endommager le plateau ou réduire la durée de service de l'outil.

AVIS : L'utilisation continue à vitesse élevée peut endommager la surface à travailler.

Notions de base sur le polissage

ATTENTION : Portez toujours des lunettes de sécurité ou un écran facial pendant l'utilisation.

AVIS : Il est recommandé d'effectuer un passage d'essai sur un endroit non en évidence pour déterminer la charge de travail appropriée.

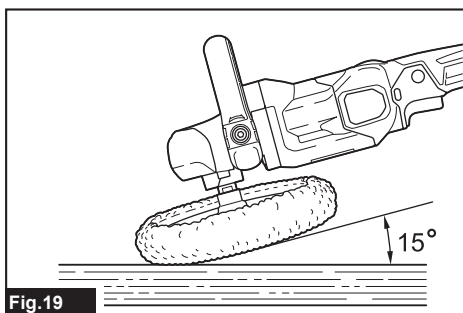


Fig.19

1. Assurez-vous que la pièce est bien soutenue et que vos deux mains sont libres pour contrôler l'outil.
2. Tenez fermement l'outil en positionnant une main sur la poignée d'interrupteur et l'autre main sur la poignée annulaire, la poignée latérale ou la tête d'outil.
3. Mettez l'outil en marche et laissez la meule de polissage atteindre sa pleine vitesse. Puis, commencez l'opération en déplaçant l'outil vers l'avant et l'arrière avec une pression constante sur la surface de la pièce à travailler.

NOTE : Gardez le plateau/bonnet en laine à un angle d'environ 15 degrés par rapport à la surface de la pièce à travailler.

NOTE : Appliquez une quantité égale de pression légère sur la meule de polissage. Une pression excessive entraînera une mauvaise performance et une usure prématurée du plateau/bonnet en laine.

4. Après l'utilisation, éteignez toujours l'outil et attendez l'arrêt complet de la meule avant de déposer l'outil.

Opérations de polissage

Traitement de la surface

Utilisez un plateau en laine pour une finition grossière, puis un plateau en mousse (accessoire optionnel) pour une finition fine.

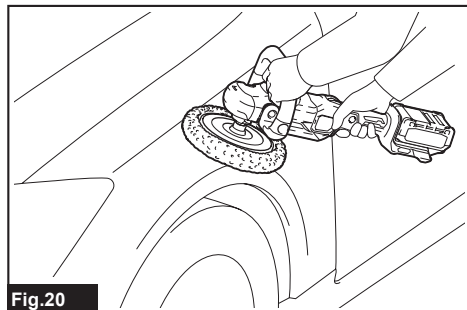


Fig.20

Application de cire

Appliquez de la cire sur le plateau en mousse (accessoire optionnel) ou sur la surface à travailler. Faites tourner l'outil à vitesse basse pour étendre la cire.

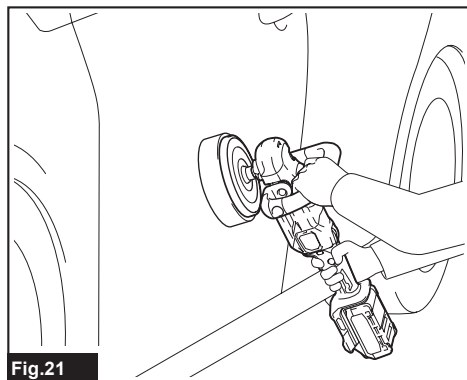


Fig.21

ATTENTION : N'appliquez pas trop de cire ou d'agent de polissage. Cela générerait plus de poussières et peut causer des maladies oculaires ou respiratoires.

NOTE : Effectuez d'abord un essai de cirage sur une partie non en évidence de la surface à travailler. Assurez-vous à l'avance que l'outil ne rayera pas la surface ou cela pourrait entraîner un cirage inégal.

Retrait de cire

Appliquez avec un plateau en mousse propre (accessoire optionnel). Retirez la cire à l'aide de l'outil.

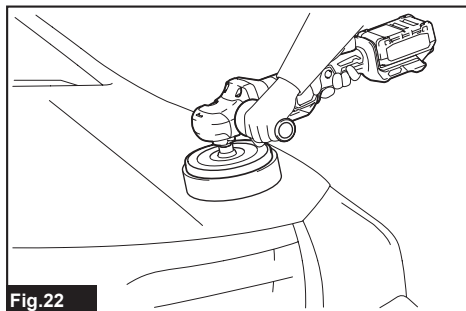


Fig.22

ENTRETIEN

ATTENTION : Assurez-vous toujours que l'outil est hors tension et que la batterie est retirée avant d'y effectuer tout travail d'inspection ou d'entretien.

AVIS : N'utilisez jamais d'essence, de benzine, de solvant, d'alcool ou autres produits similaires. Une décoloration, une déformation ou la formation de fissures peuvent en découler.

Pour maintenir la SÉCURITÉ et la FIABILITÉ du produit, les réparations et tout autre travail d'entretien ou de réglage doivent être effectués dans un centre de service après-vente autorisé ou une usine Makita, exclusivement avec des pièces de rechange Makita.

Nettoyage des caches antipoussières

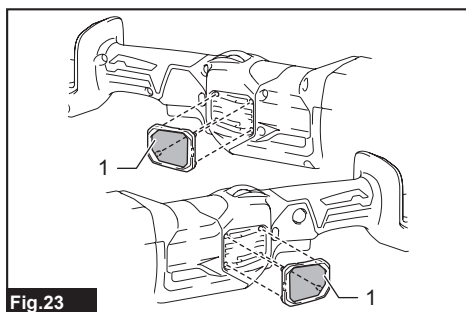


Fig.23

- 1. Cache antipoussières

Nettoyez régulièrement les caches antipoussières sur les entrées d'air pour assurer la circulation fluide de l'air. Retirez les caches antipoussières et nettoyez les mailles.

ACCESSOIRES EN OPTION

⚠ ATTENTION : Ces accessoires ou pièces complémentaires sont recommandés pour l'utilisation avec l'outil Makita spécifié dans ce manuel. L'utilisation de tout autre accessoire ou pièce complémentaire peut comporter un risque de blessure. N'utilisez les accessoires ou pièces complémentaires qu'aux fins auxquelles ils ont été conçus.

Si vous désirez obtenir plus de détails sur ces accessoires, veuillez contacter le centre de service après-vente Makita le plus près.

- Contre-écrou 48
- Clé à contre-écrou 28
- Plateau en mousse (autoagrippant)
- Plateau en laine 180 (autoagrippant)
- Bonnet en laine 180
- Coussinet de support 165 (autoagrippant)
- Plateau de caoutchouc 170
- Manchon 18
- Poignée latérale (poignée auxiliaire)
- Poignée annulaire
- Chargeur et batterie authentiques Makita

NOTE : Certains éléments de la liste peuvent être inclus avec l'outil comme accessoires standards. Ils peuvent varier suivant les pays.

GARANTIE LIMITÉE MAKITA

Pour les conditions de garantie en vigueur qui s'appliquent à ce produit, veuillez vous reporter à la feuille de garantie en annexe. Si la feuille de garantie en annexe n'est pas disponible, reportez-vous aux détails de la garantie présentés sur le site Web de votre pays, ci-dessous.

États-Unis d'Amérique: www.makitatools.com

Canada: www.makita.ca

Autres pays: www.makita.com

ESPECIFICACIONES

Modelo:		PV001G
Capacidades máximas	Almohadilla de lana	180 mm (7")
	Capucha de lana	180 mm (7")
Rosca del eje		15,88 mm (5/8")
Velocidad especificada (n) / Velocidad sin carga (n ₀)		2 200 r/min
Longitud total (con cartucho de batería BL4040)		531 mm (20-7/8")
Tensión nominal		36 V - 40 V c.c. máx.
Peso neto		3,0 kg - 4,4 kg (6,6 lbs - 9,7 lbs)

- Debido a nuestro continuo programa de investigación y desarrollo, las especificaciones aquí incluidas están sujetas a cambio sin previo aviso.
- Las especificaciones y el cartucho de batería pueden variar de país a país.
- El peso puede variar en función de los accesorios, incluido el cartucho de batería. En la tabla se muestra la combinación de peso más ligero y más pesado conforme al procedimiento 01/2014 de EPTA.

Cartucho de batería y cargador aplicables

Cartucho de batería	BL4020 / BL4025* / BL4040* / BL4050F* * : Batería recomendada
Cargador	DC40RA / DC40RB / DC40RC

- Algunos de los cartuchos de batería y cargadores enumerados arriba podrían no estar disponibles dependiendo de su área de residencia.

⚠ ADVERTENCIA: Use únicamente los cartuchos de batería y los cargadores indicados arriba. El uso de cualquier otro cartucho de batería y cargador podría ocasionar una lesión y/o un incendio.

ADVERTENCIAS DE SEGURIDAD

Advertencias generales de seguridad para herramientas eléctricas

⚠ ADVERTENCIA: Lea todas las advertencias de seguridad, instrucciones, ilustraciones y especificaciones suministradas con esta herramienta eléctrica. El no seguir todas las instrucciones indicadas a continuación podría ocasionar una descarga eléctrica, incendio y/o lesiones graves.

Conserve todas las advertencias e instrucciones como referencia en el futuro.

En las advertencias, el término "herramienta eléctrica" se refiere a su herramienta eléctrica de funcionamiento con conexión a la red eléctrica (con cableado eléctrico) o herramienta eléctrica de funcionamiento a batería (inalámbrica).

Seguridad en el área de trabajo

1. **Mantenga el área de trabajo limpia y bien iluminada.** Las áreas oscuras o desordenadas son propensas a accidentes.
2. **No utilice las herramientas eléctricas en atmósferas explosivas, tal como en la presencia de líquidos, gases o polvo inflamables.** Las herramientas eléctricas crean chispas que pueden prender fuego al polvo o los humos.
3. **Mantenga a los niños y curiosos alejados mientras utiliza una herramienta eléctrica.** Las distracciones le pueden hacer perder el control.

Seguridad eléctrica

1. **Las clavijas de conexión de las herramientas eléctricas deberán encajar perfectamente en la toma de corriente. No modifique nunca la clavija de conexión de ninguna forma. No utilice ninguna clavija adaptadora con herramientas eléctricas que tengan conexión a tierra (puesta a tierra).** La utilización de clavijas no modificadas y que encajen perfectamente en la toma de corriente reducirá el riesgo de que se produzca una descarga eléctrica.
2. **Evite tocar con el cuerpo superficies conectadas a tierra o puestas a tierra tales como tubos, radiadores, cocinas y refrigeradores.** Si su cuerpo es puesto a tierra o conectado a tierra existirá un mayor riesgo de que sufra una descarga eléctrica.

3. **No exponga las herramientas eléctricas a la lluvia ni a condiciones húmedas.** La entrada de agua en una herramienta eléctrica aumentará el riesgo de que se produzca una descarga eléctrica.
4. **No maltrate el cable. Nunca utilice el cable para transportar, jalar o desconectar la herramienta eléctrica.** Mantenga el cable alejado del calor, aceite, objetos cortantes o piezas móviles. Los cables dañados o enredados aumentan el riesgo de sufrir una descarga eléctrica.
5. **Cuando utilice una herramienta eléctrica en exteriores, utilice un cable de extensión apropiado para uso en exteriores.** La utilización de un cable apropiado para uso en exteriores reducirá el riesgo de que se produzca una descarga eléctrica.
6. **Si no es posible evitar usar una herramienta eléctrica en condiciones húmedas, utilice un alimentador protegido con interruptor de circuito de falla a tierra (ICFT).** El uso de un ICFT reduce el riesgo de descarga eléctrica.
7. **Las herramientas eléctricas pueden producir campos electromagnéticos (CEM) que no son dañinos para el usuario.** Sin embargo, si los usuarios tienen marcapasos y otros dispositivos médicos similares, deberán consultar al fabricante de su dispositivo y/o a su médico antes de operar esta herramienta eléctrica.
7. **Si dispone de dispositivos para la conexión de equipos de extracción y recolección de polvo, asegúrese de conectarlos y utilizarlos debidamente.** Hacer uso de la recolección de polvo puede reducir los riesgos relacionados con el polvo.
8. **No permita que la familiaridad adquirida debido al uso frecuente de las herramientas haga que se sienta confiado e ignore los principios de seguridad de las herramientas.** Un descuido podría ocasionar una lesión grave en una fracción de segundo.
9. **Utilice siempre gafas protectoras para proteger sus ojos de lesiones al usar herramientas eléctricas. Las gafas deben cumplir con la Norma ANSI Z87.1 en EUA.** Es responsabilidad del empleador imponer el uso de equipos protectores de seguridad apropiados a los operadores de la herramienta y demás personas cerca del área de trabajo.

Mantenimiento y uso de la herramienta eléctrica

Seguridad personal

1. **Manténgase alerta, preste atención a lo que está haciendo y utilice su sentido común cuando opere una herramienta eléctrica. No utilice una herramienta eléctrica cuando esté cansado o bajo la influencia de drogas, alcohol o medicamentos.** Un momento de distracción mientras opera las herramientas eléctricas puede terminar en una lesión grave.
2. **Use equipo de protección personal. Póngase siempre protección para los ojos.** El equipo protector tal como máscara contra el polvo, zapatos de seguridad antiderrapantes, casco rígido y protección para oídos utilizado en las condiciones apropiadas reducirá el riesgo de lesiones.
3. **Impida el encendido accidental. Asegúrese de que el interruptor esté en la posición de apagado antes de conectar a la alimentación eléctrica y/o de colocar el cartucho de batería, así como al levantar o cargar la herramienta.** Cargar las herramientas eléctricas con su dedo en el interruptor o enchufarlas con el interruptor encendido hace que los accidentes sean comunes.
4. **Retire cualquier llave de ajuste o llave de apriete antes de encender la herramienta.** Una llave de ajuste o llave de apriete que haya sido dejada puesta en una parte giratoria de la herramienta eléctrica puede ocasionar alguna lesión.
5. **No utilice la herramienta donde no alcance. Mantenga los pies sobre suelo firme y el equilibrio en todo momento.** Esto permite un mejor control de la herramienta eléctrica en situaciones inesperadas.
6. **Use una vestimenta apropiada. No use ropa suelta ni alhajas. Mantenga el cabello, la ropa y los guantes alejados de las piezas móviles.** Las prendas de vestir holgadas, las alhajas y el cabello largo suelto podrían engancharse en estas piezas móviles.
1. **No fuerce la herramienta eléctrica. Utilice la herramienta eléctrica correcta para su aplicación.** La herramienta eléctrica adecuada hará un mejor trabajo y de forma más segura a la velocidad para la que ha sido fabricada.
2. **No utilice la herramienta eléctrica si el interruptor no la enciende y apaga.** Cualquier herramienta eléctrica que no pueda ser controlada con el interruptor es peligrosa y debe ser reemplazada.
3. **Desconecte la clavija de la fuente de alimentación y/o retire la batería de la herramienta eléctrica, en caso de ser removible, antes de realizar ajustes, cambiar accesorios o almacenar las herramientas eléctricas.** Tales medidas de seguridad preventivas reducirán el riesgo de poner en marcha la herramienta eléctrica de forma accidental.
4. **Guarde la herramienta eléctrica que no use fuera del alcance de los niños y no permita que las personas que no están familiarizadas con ella o con las instrucciones la operen.** Las herramientas eléctricas son peligrosas en manos de personas que no saben operarlas.
5. **Dé mantenimiento a las herramientas eléctricas y los accesorios. Compruebe que no haya piezas móviles desalineadas o estancadas, piezas rotas y cualquier otra condición que pueda afectar al funcionamiento de la herramienta eléctrica. Si la herramienta eléctrica está dañada, haga que la reparen antes de utilizarla.** Muchos de los accidentes son ocasionados por no dar un mantenimiento adecuado a las herramientas eléctricas.
6. **Mantenga las herramientas de corte limpias y filosas.** Si recibe un mantenimiento adecuado y tiene los bordes afilados, es probable que la herramienta se atasque menos y sea más fácil controlarla.
7. **Utilice la herramienta eléctrica, los accesorios y las brocas de acuerdo con estas instrucciones, considerando las condiciones laborales y el trabajo a realizar.** Si utiliza la herramienta eléctrica para realizar operaciones distintas de las indicadas, podrá presentarse una situación peligrosa.

8. **Mantenga los mangos y superficies de asiento secos, limpios y libres de aceite o grasa.** Los mangos y superficies de asiento resbalosos no permiten una manipulación segura ni el control de la herramienta en situaciones inesperadas.
9. **Cuando vaya a utilizar esta herramienta, evite usar guantes de trabajo de tela ya que éstos podrían atorarse.** Si los guantes de trabajo de tela llegan a atorarse en las piezas móviles, esto podría ocasionar lesiones personales.

Uso y cuidado de la herramienta a batería

1. **Recargue sólo con el cargador especificado por el fabricante.** Un cargador que es adecuado para un solo tipo de batería puede generar riesgo de incendio al ser utilizado con otra batería.
2. **Utilice las herramientas eléctricas solamente con las baterías designadas específicamente para ellas.** La utilización de cualquier otra batería puede crear un riesgo de lesiones o incendio.
3. **Cuando no se esté usando la batería, manténgala alejada de otros objetos metálicos, como sujetapapeles (clips), monedas, llaves, clavos, tornillos u otros objetos pequeños de metal los cuales pueden actuar creando una conexión entre las terminales de la batería.** Originar un cortocircuito en las terminales puede causar quemaduras o incendios.
4. **En condiciones abusivas, podrá escapar líquido de la batería; evite tocarlo. Si lo toca accidentalmente, enjuague con agua. Si hay contacto del líquido con los ojos, busque asistencia médica.** Puede que el líquido expulsado de la batería cause irritación o quemaduras.
5. **No utilice una herramienta ni una batería que estén dañadas o hayan sido modificadas.** Las baterías dañadas o modificadas podrían ocasionar una situación inesperada provocando un incendio, explosión o riesgo de lesiones.
6. **No exponga la herramienta ni la batería al fuego ni a una temperatura excesiva.** La exposición al fuego o a una temperatura superior a los 130 °C podría causar una explosión.
7. **Siga todas las instrucciones para la carga y evite cargar la herramienta o la batería fuera del rango de temperatura especificado en las instrucciones.** Una carga inadecuada o a una temperatura fuera del rango especificado podría dañar la batería e incrementar el riesgo de incendio.

Servicio

1. **Haga que una persona calificada repare la herramienta eléctrica utilizando sólo piezas de repuesto idénticas.** Esto asegura que se mantenga la seguridad de la herramienta eléctrica.
2. **Nunca dé servicio a baterías que estén dañadas.** El servicio a las baterías solamente deberá ser efectuado por el fabricante o un agente de servicio autorizado.
3. **Siga las instrucciones para la lubricación y cambio de accesorios.**
4. **No modifique ni intente reparar el aparato ni el paquete de baterías salvo como se indique en las instrucciones para el uso y cuidado.**

Advertencias de seguridad para la pulidora inalámbrica

Advertencias de seguridad para las operaciones de pulido:

1. **Esta herramienta eléctrica está diseñada para funcionar como pulidora. Lea todas las advertencias de seguridad, instrucciones, ilustraciones y especificaciones que se incluyen con esta herramienta eléctrica.** El no seguir todas las instrucciones indicadas a continuación podría provocar una descarga eléctrica, incendio y/o lesiones graves.
2. **Las operaciones tales como el esmerilado, lijado, cepillado con alambre, cortado de orificios o recortado no están recomendadas para realizarse con esta herramienta eléctrica.** Las operaciones para las que esta herramienta eléctrica no está diseñada pueden representar un riesgo y ocasionar lesiones personales.
3. **No convierta esta herramienta eléctrica para que funcione de una manera que no esté específicamente diseñada y especificada por el fabricante de la herramienta.** Tal conversión podría resultar en una pérdida de control y causar serias lesiones personales.
4. **No utilice accesorios que no hayan sido específicamente diseñados y especificados por el fabricante de la herramienta.** Sólo porque un accesorio pueda ensamblarse en su herramienta eléctrica no garantiza una operación segura.
5. **La velocidad especificada para el accesorio debe ser por lo menos la misma que la velocidad máxima marcada en la herramienta eléctrica.** Los accesorios que vayan a una velocidad mayor que su velocidad especificada pueden romperse y desintegrarse.
6. **El diámetro exterior y el grosor de su accesorio deben estar dentro de la capacidad indicada de su herramienta eléctrica.** Los accesorios de tamaño incorrecto no podrán ser protegidos ni controlados adecuadamente.
7. **Las dimensiones del montaje de accesorios deben ajustarse a las dimensiones del equipo de montaje de la herramienta eléctrica.** Los accesorios que no encajen con el equipo de montaje de la herramienta eléctrica se desequilibrarán, vibrarán excesivamente y podrán causar la pérdida de control.
8. **No utilice accesorios dañados. Antes de cada uso, inspeccione los accesorios tales como las ruedas abrasivas para verificar que no haya grietas ni astillas, la almohadilla de soporte para revisar que no haya roturas, rasgaduras o un desgaste excesivo, o el cepillo de alambre para comprobar que no haya alambres sueltos o rotos. Si la herramienta eléctrica o algún accesorio llegan a caerse, inspeccione que no haya daños o instale un accesorio que no esté dañado. Después de inspeccionar e instalar un accesorio, colóquese usted y las personas alrededor lejos del plano del accesorio giratorio y haga funcionar la herramienta eléctrica a la velocidad máxima sin carga durante un minuto.** Los accesorios dañados por lo general se romperán durante este tiempo de prueba.

9. **Use equipo de protección personal.** Dependiendo de la aplicación, utilice careta y gafas o anteojos de seguridad. Según resulte apropiado, use máscara contra polvo, protectores para oídos, guantes y mandil de trabajo que puedan detener pequeños fragmentos abrasivos o de la pieza de trabajo. La protección para los ojos debe ser capaz de detener los residuos proyectados a causa de las distintas aplicaciones. La máscara contra polvo o el respirador deben ser capaces de filtrar las partículas generadas por la aplicación en particular. La exposición prolongada al ruido de alta intensidad puede ocasionar pérdida auditiva.
10. **Mantenga a las personas alrededor a una distancia segura del área de trabajo. Cualquier persona que ingrese al área de trabajo deberá usar equipo de protección personal.** Los fragmentos de la pieza de trabajo o de un accesorio roto podrán salir proyectados más allá del área inmediata de operación y causar lesiones.
11. **Nunca deje la herramienta eléctrica hasta que el accesorio se haya detenido completamente.** El accesorio giratorio puede agarrar la superficie y jalar la herramienta eléctrica haciendo que usted pierda el control sobre ella.
12. **No tenga encendida la herramienta eléctrica mientras la lleva cargando a un costado.** El contacto accidental con el accesorio giratorio podría enganchar su ropa y jalar el accesorio hacia su cuerpo.
13. **Limpie regularmente los orificios de ventilación de la herramienta eléctrica.** El ventilador del motor atraerá el polvo hacia el interior de la carcasa y la acumulación excesiva de polvo metálico podrá ocasionar riesgos eléctricos.
14. **No utilice la herramienta eléctrica cerca de materiales inflamables.** Las chispas pueden prender fuego a estos materiales.
15. **No utilice accesorios que requieran refrigerantes líquidos.** El uso de agua u otros refrigerantes líquidos puede ocasionar una electrocución o descarga eléctrica.
16. **No permita que ninguna sección suelta de la capucha pulidora o las cuerdas de su aditamento giren libremente. Recoja o recorte cualquier cuerda suelta del aditamento.** Las cuerdas sueltas del aditamento que estén girando pueden enredarse en sus dedos o engancharse en la pieza de trabajo.

Retrocesos bruscos y advertencias relacionadas

El retroceso brusco es una reacción repentina a un atoramiento o enganchamiento de la rueda giratoria, almohadilla de soporte, cepillo o cualquier otro accesorio. El atoramiento o enganchamiento ocasiona un rápido detenimiento del accesorio giratorio que a su vez causa que la herramienta eléctrica descontrolada sea forzada en la dirección opuesta al giro del accesorio en el punto de atascamiento. Por ejemplo, si una rueda o disco abrasivo queda enganchada o atorada por la pieza de trabajo, el borde de la rueda que está entrando en el punto de atoramiento puede hundirse en la superficie del material haciendo que la rueda se salga o salte. La rueda podrá saltar ya sea hacia el operador o en dirección contraria a él, dependiendo de la dirección del movimiento de la rueda en el punto de atoramiento. Las ruedas abrasivas también pueden romperse en estas condiciones.

El retroceso brusco es el resultado de un mal uso de la herramienta eléctrica y/o de procedimientos o condiciones de operación incorrectos y puede evitarse tomando las precauciones adecuadas tal como se indica a continuación.

1. **Mantenga sujeta firmemente la herramienta eléctrica con ambas manos y posición su cuerpo y brazo de manera que pueda resistir las fuerzas del retroceso brusco.** De estar disponible, utilice siempre el mango auxiliar para un control máximo durante un retroceso brusco o reacción de torsión durante la puesta en marcha de la herramienta. El operador puede controlar las reacciones de torsión o fuerzas del retroceso brusco siempre y cuando se tomen las precauciones adecuadas.
2. **Nunca coloque su mano cerca del accesorio giratorio.** El accesorio puede tener un retroceso brusco sobre su mano.
3. **No posicione su cuerpo en el área donde la herramienta eléctrica pueda desplazarse en caso de ocurrir un retroceso brusco.** El retroceso brusco proyectará la herramienta en dirección opuesta al movimiento de la rueda en el punto de enganchamiento.
4. **Tenga especial cuidado cuando trabaje las esquinas, los bordes afilados, etc.** Evite que el accesorio rebote y se enrede y atore. Las esquinas, bordes filosos o rebotes tienden a enganchar el accesorio giratorio y ocasionar la pérdida de control o un retroceso brusco.
5. **No coloque una cadena de sierra, disco para labrar madera, rueda de diamante segmentada con un espacio periférico de separación mayor a 10 mm, ni disco de sierra dentado.** Dichos discos generan un retroceso brusco y pérdida del control con frecuencia.

Advertencias de seguridad adicionales:

1. **Tenga cuidado de no dañar el eje, la brida (especialmente la superficie de instalación) o la contratuerca.** Si estas piezas se dañan la rueda podría romperse.
2. **Asegúrese de que la rueda no esté haciendo contacto con la pieza de trabajo antes de activar el interruptor.**
3. **Antes de utilizar la herramienta en una pieza de trabajo definitiva, déjala funcionar durante un rato.** Observe si hay vibración o bamboleo que pueda indicar una instalación incorrecta o una rueda mal equilibrada.
4. **Utilice la superficie especificada de la rueda para realizar el pulido.**
5. **No deje la herramienta funcionando.** Mantenga en marcha la herramienta solamente cuando la esté sosteniendo con la mano.
6. **No toque la pieza de trabajo inmediatamente después de la operación, ya que podría estar extremadamente caliente y provocarle quemaduras en la piel.**
7. **No toque los accesorios inmediatamente después de la operación, ya que podrían estar extremadamente calientes y provocarle quemaduras en la piel.**
8. **Siga las instrucciones del fabricante para la instalación y el uso correctos de las ruedas.** Manipule y almacene las ruedas con cuidado.

9. En el caso de las herramientas diseñadas para la instalación con ruedas de orificio roscado, asegúrese de que la rosca de la rueda sea lo suficientemente larga para acoplarse a la longitud del eje.
 10. Verifique que la pieza de trabajo esté debidamente apoyada.
 11. Tenga en cuenta que la rueda continuará girando después de haber apagado la herramienta.
 12. No utilice la herramienta con ningún material que contenga asbesto.
 13. No utilice guantes de trabajo de tela durante la operación. Las fibras de los guantes de tela podrían introducirse en la herramienta ocasionando la rotura de ésta.
4. En caso de que ingresen electrolitos en sus ojos, enjuáguelos bien con agua limpia y consulte de inmediato a un médico. Esto podría ocasionar pérdida de visión.
 5. Evite cortocircuitar el cartucho de batería:
 - (1) No toque las terminales con ningún material conductor.
 - (2) Evite guardar el cartucho de batería en un cajón junto con otros objetos metálicos, tales como clavos, monedas, etc.
 - (3) No exponga el cartucho de batería al agua o la lluvia.
 Un cortocircuito en la batería puede causar un flujo grande de corriente, sobrecalentamiento, posibles quemaduras e incluso una descompostura.

GUARDE ESTAS INSTRUCCIONES.

⚠ ADVERTENCIA: NO DEJE que la comodidad o familiaridad con el producto (a base de utilizarlo repetidamente) sustituya la estricta observancia de las normas de seguridad para dicho producto. El MAL USO o el no seguir las normas de seguridad establecidas en este manual de instrucciones puede ocasionar lesiones personales graves.

Símbolos

A continuación se muestran los símbolos utilizados para la herramienta.

V	volts o voltios
— — —	corriente directa o continua
n	velocidad especificada
n ₀	velocidad sin carga
... /min r /min	órbitas por minuto

Instrucciones importantes de seguridad para el cartucho de batería

1. Antes de utilizar el cartucho de batería, lea todas las instrucciones e indicaciones de precaución en el (1) el cargador de batería, (2) la batería, y (3) el producto con el que se utiliza la batería.
 2. No desarme ni modifique el cartucho de batería. Podría ocurrir un incendio, calor excesivo o una explosión.
 3. Si el tiempo de operación se ha acortado en exceso, deje de operar de inmediato. Podría correrse el riesgo de sobrecalentamiento, posibles quemaduras e incluso explosión.
11. Nunca incinere el cartucho de batería incluso en el caso de que esté dañado seriamente o ya no sirva en absoluto. El cartucho de batería puede explotar si se tira al fuego.
 8. No clave, corte, aplaste, lance o deje caer el cartucho de batería, ni golpee un objeto sólido contra el cartucho de batería. Dicha acción podría resultar en un incendio, calor excesivo o en una explosión.
 9. No use una batería dañada.
 10. Las baterías de ión de litio están sujetas a los requisitos reglamentarios en materia de bienes peligrosos.

Para el transporte comercial, por ej., mediante terceros o agentes de transporte, se deben tomar en cuenta los requisitos especiales relativos al empaque y el etiquetado.

Para efectuar los preparativos del artículo que se va a enviar, se requiere consultar a un experto en materiales peligrosos. Si es posible, consulte además otras regulaciones nacionales más detalladas.

Pegue o cubra con cinta adhesiva los contactos abiertos y empaque la batería de manera que ésta no pueda moverse dentro del paquete.
 11. Para deshacerse del cartucho de batería, sáquelo de la herramienta y deséchelo en un lugar seguro. Siga las regulaciones locales relacionadas al desecho de las baterías.
 12. Utilice las baterías únicamente con los productos especificados por Makita. Instalar las baterías en productos que no cumplan con los requisitos podría ocasionar un incendio, un calentamiento excesivo, una explosión o una fuga de electrolito.
 13. Si no se utiliza la herramienta por un período largo, debe extraerse la batería de la herramienta.
 14. El cartucho de batería podría absorber calor durante y después de su uso, lo que ocasionaría quemaduras o quemaduras a baja temperatura. Tenga cuidado con la manipulación de los cartuchos de batería que estén calientes.

15. No toque el terminal de la herramienta inmediatamente después de su uso, ya que el mismo podría estar lo suficientemente caliente como para provocarle quemaduras.
16. No permita que las rebabas, el polvo o la tierra queden atrapados en los terminales, orificios y ranuras del cartucho de batería. Podría provocar calentamiento, incendio, explosión y mal funcionamiento de la herramienta o del cartucho de batería, lo que resultaría en quemaduras o lesiones personales.
17. No utilice el cartucho de batería cerca de cables eléctricos de alto voltaje, a menos que la herramienta sea compatible con el uso cercano a estos cables eléctricos de alto voltaje. Esto podría ocasionar una avería o descompostura de la herramienta o del cartucho de batería.
18. Mantenga la batería alejada de los niños.

GUARDE ESTAS INSTRUCCIONES.

⚠️PRECAUCIÓN: Utilice únicamente baterías originales de Makita. El uso de baterías no originales de Makita, o de baterías alteradas, puede ocasionar que las baterías exploten causando un incendio, lesiones personales y daños. Asimismo, esto invalidará la garantía de Makita para la herramienta y el cargador Makita.

Consejos para alargar al máximo la vida útil de la batería

1. Cargue el cartucho de batería antes de que se descargue completamente. Pare siempre la operación y cargue el cartucho de batería cuando note menos potencia en la herramienta.
2. No cargue nunca un cartucho de batería que esté completamente cargado. La sobrecarga acortará la vida de servicio de la batería.
3. Cargue el cartucho de batería a una temperatura ambiente de 10 °C - 40 °C (50 °F - 104 °F). Si un cartucho de batería está caliente, déjelo enfriar antes de cargarlo.
4. Cuando no utilice el cartucho de batería, sáquelo de la herramienta o del cargador.
5. Cargue el cartucho de batería si no va a utilizarlo durante un período prolongado (más de seis meses).

DESCRIPCIÓN DEL FUNCIONAMIENTO

⚠️PRECAUCIÓN: Asegúrese siempre de que la herramienta esté apagada y el cartucho de batería haya sido extraído antes de realizar cualquier ajuste o comprobación en la herramienta.

Instalación o extracción del cartucho de batería

⚠️PRECAUCIÓN: Apague siempre la herramienta antes de colocar o quitar el cartucho de batería.

⚠️PRECAUCIÓN: Sujete la herramienta y el cartucho de la batería con firmeza al colocar o quitar el cartucho de batería. Si no se sujeta con firmeza la herramienta y el cartucho de batería, puede ocasionar que se resbalen de sus manos causando daños a la herramienta y al cartucho de batería, así como lesiones a la persona.

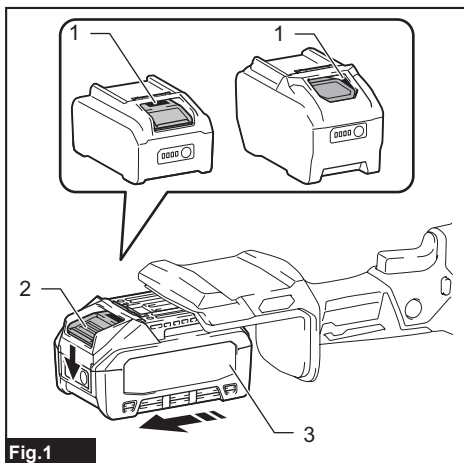


Fig.1

► 1. Indicador rojo 2. Botón 3. Cartucho de batería

Para quitar el cartucho de batería, deslícelo de la herramienta mientras desliza el botón sobre la parte delantera del cartucho.

Para instalar el cartucho de batería, alinee la lengüeta sobre el cartucho de batería con la ranura en la carcasa y deslícela hasta su lugar. Insértelo por completo hasta que se fije en su lugar con un pequeño clic. Si puede ver el indicador rojo como se muestra en la ilustración, este no ha quedado asegurado por completo.

⚠️PRECAUCIÓN: Introduzca siempre completamente el cartucho de batería hasta que el indicador rojo no pueda verse. Si no, podría accidentalmente salirse de la herramienta y caer al suelo causando una lesión a usted o alguien a su alrededor.

⚠️PRECAUCIÓN: No instale el cartucho de batería a la fuerza. Si el cartucho no se desliza al interior fácilmente, se debe a que no está siendo insertado correctamente.

Indicación de la capacidad restante de la batería

Oprima el botón de verificación en el cartucho de la batería para que indique la capacidad restante de la batería. Las luces indicadoras se iluminarán por algunos segundos.

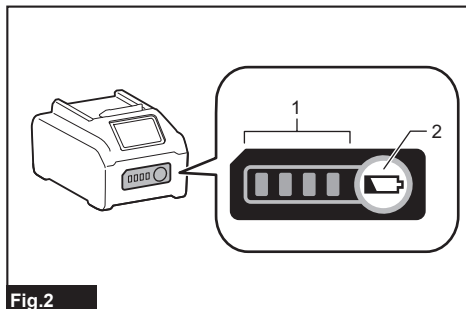


Fig.2

► 1. Luces indicadoras 2. Botón de verificación

Luces indicadoras			Capacidad restante
Iluminadas	Apagadas	Parpadeando	
■ ■ ■ ■	□ □ □ □	▬	75% a 100%
■ ■ ■ □	□ □ □ □	▬	50% a 75%
■ ■ □ □	□ □ □ □	▬	25% a 50%
■ □ □ □	□ □ □ □	▬	0% a 25%
▬ □ □ □	□ □ □ □	▬	Cargar la batería.
■ ■ □ □	□ □ □ □	▬	La batería pudo haber funcionado mal.
□ □ ■ ■	□ □ □ □	▬	

NOTA: Dependiendo de las condiciones de uso y la temperatura ambiente, la indicación podrá diferir ligeramente de la capacidad real.

NOTA: La primera luz indicadora (extrema izquierda) parpadeará cuando el sistema de protección de batería esté en funcionamiento.

Sistema de protección para la herramienta/batería

La herramienta está equipada con un sistema de protección de la herramienta/batería. Este sistema corta en forma automática el suministro de energía al motor para prolongar la vida útil de la herramienta y la batería. La herramienta se detendrá automáticamente durante la operación si la herramienta o la batería se someten a una de las siguientes condiciones:

Protección contra sobrecarga

Cuando la herramienta/batería sean utilizadas de una manera que cause que consuman una cantidad inusualmente alta de corriente, la herramienta se detendrá automáticamente. En este caso, apague la herramienta y detenga la aplicación que causó que la herramienta se sobrecargara. Luego encienda la herramienta para volver a arrancarla.

Protección contra sobrecalentamiento

Cuando la herramienta/batería se sobrecaliente, la herramienta se detendrá automáticamente. En este caso, permita que la herramienta/batería se enfríe antes de volver a encender la herramienta.

Protección en caso de sobredescarga

Cuando la capacidad de la batería no es suficiente, la herramienta se detiene automáticamente. En este caso, retire la batería de la herramienta y cárguela.

Protección contra otras causas

El sistema de protección también está diseñado para otras causas que podrían dañar la herramienta, y permite que la herramienta se detenga automáticamente. Siga todos los pasos a continuación para eliminar las causas cuando la herramienta se haya detenido temporalmente o se haya detenido durante el funcionamiento.

1. Apague la herramienta, y luego enciéndala nuevamente para reiniciarla.
2. Cargue la(s) batería(s) o reemplácela(s) con batería(s) recargada(s).
3. Deje que la herramienta y la(s) batería(s) se enfríen.


Si no hay ninguna mejora al restaurar el sistema de protección, comuníquese con su centro local de servicio Makita.

Accionamiento del interruptor

PRECAUCIÓN: Antes de insertar el cartucho de batería en la herramienta, compruebe siempre y cerciñese de que el gatillo interruptor se acciona debidamente y que vuelve a la posición "OFF" (apagado) cuando lo suelta.

PRECAUCIÓN: El interruptor puede bloquearse en la posición de encendido para la comodidad del operador durante el uso prolongado. Tenga cuidado al bloquear la herramienta en la posición de encendido y mantenga bien sujeta la herramienta.

PRECAUCIÓN: No instale el cartucho de batería mientras el botón de bloqueo está activado.

PRECAUCIÓN: Cuando no vaya a utilizar la herramienta, oprima el botón de bloqueo del gatillo del lado  para bloquear el gatillo interruptor en la posición de apagado.

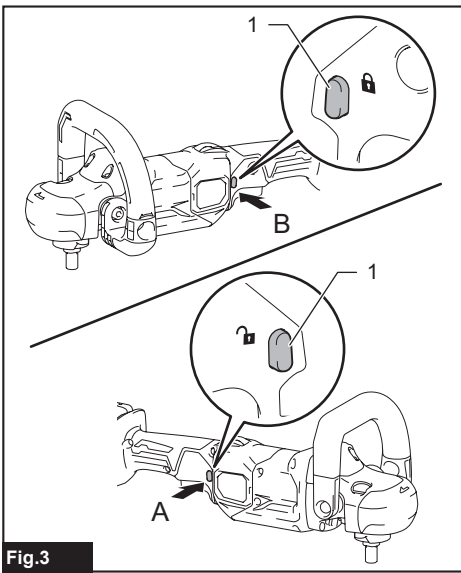


Fig.3

► 1. Botón de bloqueo del gatillo

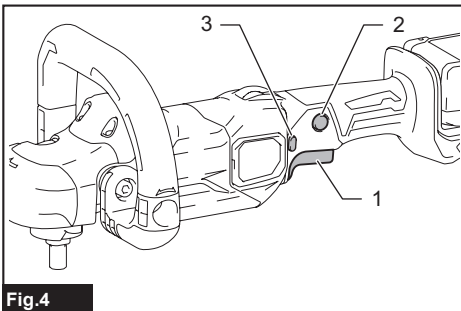


Fig.4

► 1. Gatillo interruptor 2. Botón de bloqueo 3. Botón de bloqueo del gatillo

El botón de bloqueo del gatillo es proporcionado para evitar que el gatillo interruptor sea jalado accidentalmente. Para arrancar la herramienta, oprima el botón de bloqueo del gatillo del lado A (A) y jale el gatillo interruptor. La velocidad de la herramienta aumenta al incrementar la presión en el gatillo interruptor. Para detenerla, suelte el gatillo interruptor. Cuando termine de usarla, oprima el botón de bloqueo del gatillo del lado B (B).

Para una operación continua, oprima el botón de bloqueo mientras jala del gatillo interruptor y luego suelte el gatillo interruptor. Para detener la herramienta, jale el gatillo interruptor por completo, luego suéltelo.

Dial de ajuste de velocidad

La velocidad de rotación se puede cambiar usando el dial de ajuste de velocidad de la parte superior del mango interruptor. Gire el dial de ajuste de velocidad para alinear los punteros con su velocidad de rotación deseada indicada en la escala de velocidad. La velocidad de rotación se puede ajustar de 600 (RPM) a 2 200 (RPM), y se puede alcanzar una velocidad objetivo cuando el gatillo interruptor se oprime por completo.

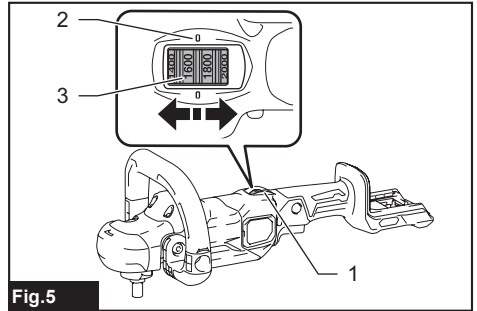


Fig.5

► 1. Dial de ajuste de velocidad 2. Puntero 3. Escala de velocidad

AVISO: El uso continuo de la herramienta a bajas velocidades durante un tiempo prolongado provocará la sobrecarga del motor y un funcionamiento deficiente de la herramienta.

AVISO: El dial de ajuste de velocidad gira entre 600 y 2 200 en la escala de velocidad. Evite girar el dial hacia atrás y hacia adelante más, ya que podría dañar la herramienta.

NOTA: Asegúrese de leer los números de la escala como indicador, ya que la velocidad real podría fluctuar ligeramente.

Bloqueo del eje

Presione el bloqueo del eje para impedir que éste gire al instalar y extraer accesorios.

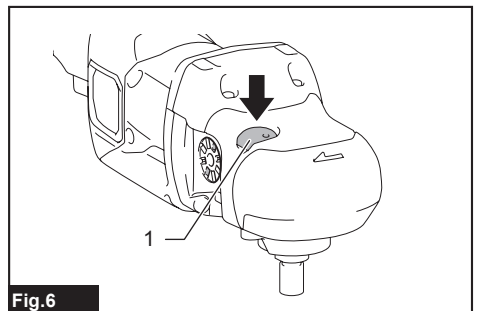


Fig.6

► 1. Bloqueo del eje

AVISO: Nunca accione el bloqueo del eje mientras éste se esté moviendo. Podría dañarse la herramienta.

Función para evitar el encendido accidental

Si instala el cartucho de batería mientras se jala el gatillo interruptor o se bloquea este mismo, la herramienta no arranca. Para arrancar la herramienta, suelte el gatillo interruptor y luego jale el mismo.

Función electrónica

Esta herramienta está equipada con las siguientes funciones electrónicas para facilitar la operación.

Control de velocidad constante

Es posible obtener un buen acabado, ya que la velocidad de giro se mantiene constante incluso en condición de carga.

Característica de inicio suave

La función de arranque suave reduce el impacto de encendido y hace que la herramienta se ponga en marcha suavemente.

MONTAJE

⚠PRECAUCIÓN: Asegúrese siempre de que la herramienta esté apagada y el cartucho de batería haya sido extraído antes de realizar cualquier trabajo en la misma.

Instalación del mango tipo asa

⚠PRECAUCIÓN: Asegúrese de sujetar la herramienta firmemente con ambas manos, colocando una mano en el mango interruptor y la otra en el mango tipo asa, la empuñadura lateral o el cabezal de la herramienta.

⚠PRECAUCIÓN: Asegúrese de que el mango tipo asa esté bien instalado antes de su operación.

1. Coloque el mango tipo asa sobre el cabezal de la herramienta, pasando el cabezal de la herramienta a través del bucle del mango.

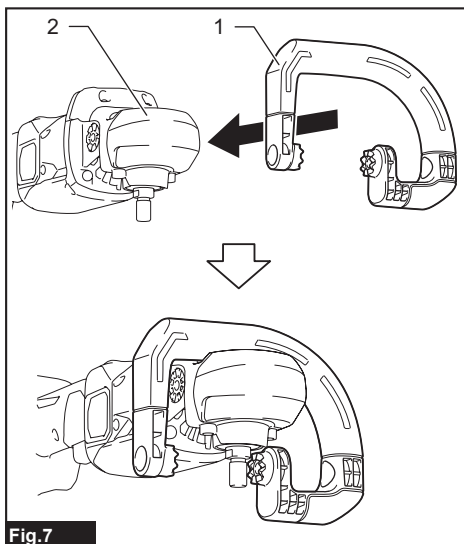


Fig.7

► 1. Mango tipo asa 2. Cabezal de la herramienta

2. Coloque el extremo recto del mango tipo asa sobre el orificio para montaje del costado del cabezal de la herramienta, encajando bien las crestas de guía del extremo del mango en las ranuras de guía alrededor del orificio para montaje.

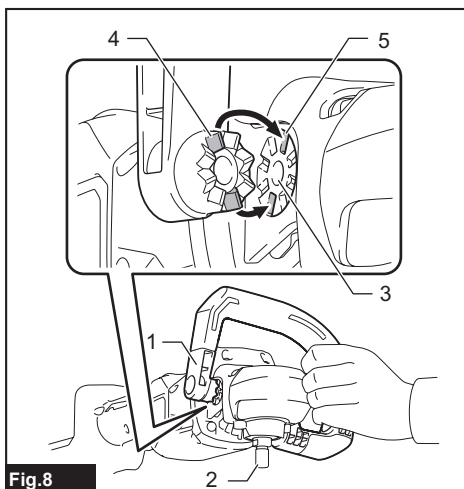


Fig.8

► 1. Extremo recto del mango tipo asa 2. Eje
3. Orificio para montaje 4. Cresta de guía 5. Ranura de guía

3. Sostenga el mango tipo asa y tire del extremo del bucle sobre el orificio para montaje del otro lado del cabezal de la herramienta, afinando los ángulos para acoplarse a la posición del mango.

4. Instale y apriete los pernos hexagonales en los orificios para montaje a ambos lados del cabezal de la herramienta, para asegurar el mango tipo asa en su lugar.

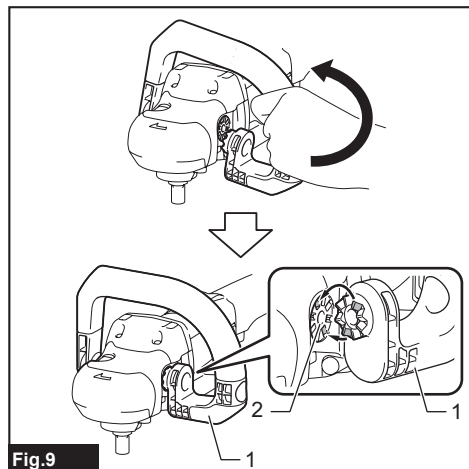


Fig.9

- 1. Extremo de bucle del mango tipo asa 2. Orificio para montaje

NOTA: El mango tipo asa tiene una forma asimétrica que se puede emplear para la mano izquierda o derecha, lo que lo hace más cómodo de agarrar y fácil para el pulido.

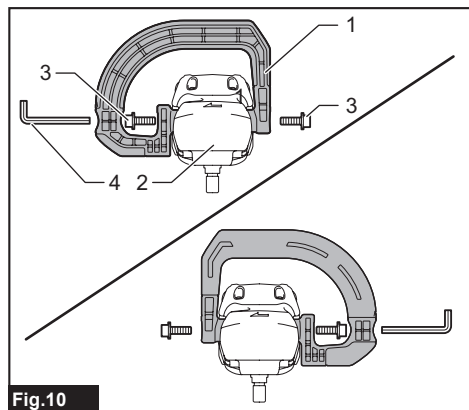


Fig.10

- 1. Mango tipo asa 2. Cabezal de la herramienta 3. Perno hexagonal 4. Llave hexagonal

NOTA: El mango tipo asa se puede colocar hacia atrás y hacia adelante, según su posición preferida. Afloje los pernos hexagonales, mueva el mango al ángulo deseado y luego vuelva a apretar los pernos para bloquear el ángulo.

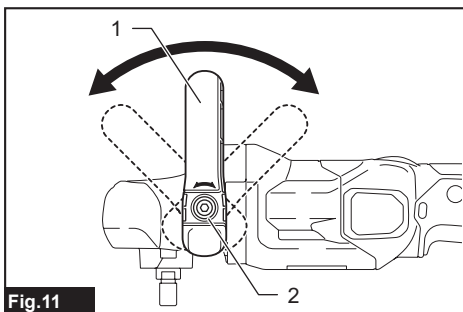


Fig.11

- 1. Mango tipo asa 2. Perno hexagonal

Instalación de la empuñadura lateral

PRECAUCIÓN: Asegúrese de sujetar la herramienta firmemente con ambas manos, colocando una mano en el mango interruptor y la otra en el mango tipo asa, la empuñadura lateral o el cabezal de la herramienta.

PRECAUCIÓN: Antes de realizar una operación, asegúrese de que la empuñadura lateral esté instalada firmemente.

Atornille firmemente la empuñadura lateral en el orificio para montaje a cada lado del cabezal de la herramienta.

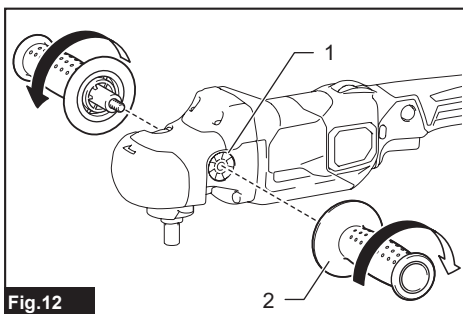


Fig.12

- 1. Orificio para montaje 2. Empuñadura lateral

Instalación y extracción de la almohadilla de lana

Accesorio opcional

⚠️PRECAUCIÓN: Asegúrese de que la almohadilla de soporte quede asegurada debidamente.

Un aditamento suelto se desequilibrará y ocasionará una vibración excesiva pudiendo causar la pérdida de control.

⚠️PRECAUCIÓN: Asegúrese de que la almohadilla de lana y la almohadilla de soporte estén alineadas y debidamente instaladas. De lo contrario, la almohadilla de lana ocasionará una vibración excesiva, pudiendo causar la pérdida de control o la almohadilla de lana podría salir expulsada de la herramienta.

⚠️PRECAUCIÓN: Utilice únicamente almohadillas de lana con sistema de enganche y cierre para el pulido.

AVISO: Nunca accione el bloqueo del eje cuando éste se esté moviendo. Podría dañarse la herramienta.

AVISO: Limpie los accesorios y el eje con regularidad para eliminar el polvo y la suciedad. Limpie los componentes con un paño humedecido en agua jabonosa si es necesario.

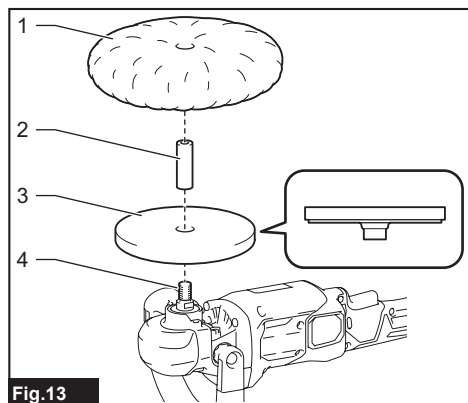


Fig.13

- 1. Almohadilla de lana 2. Manguito 18
3. Almohadilla de soporte 4. Eje

Instalación de la almohadilla de lana

1. Presione hacia adentro el bloqueo del eje para evitar la rotación del eje, y enrosque la almohadilla de soporte en el eje.
2. Apriete con la mano la almohadilla de soporte de forma segura.

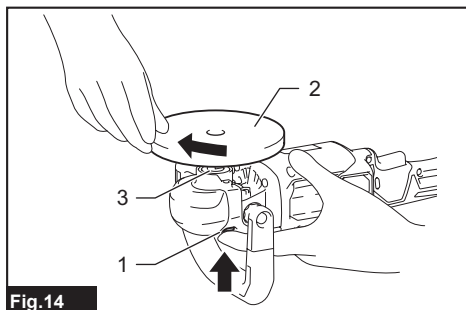


Fig.14

- 1. Bloqueo del eje 2. Almohadilla de soporte 3. Eje

3. Inserte el manguito 18 en el orificio central de la almohadilla de soporte.
4. Instale la almohadilla de lana sobre la almohadilla de soporte, pasando el manguito 18 a través del orificio central de la almohadilla de lana. Utilice el manguito 18 como guía de posicionamiento para alinear la almohadilla de lana con precisión a lo largo de la almohadilla de soporte.
5. Tire del manguito 18 para sacarlo del orificio central de la almohadilla de soporte.

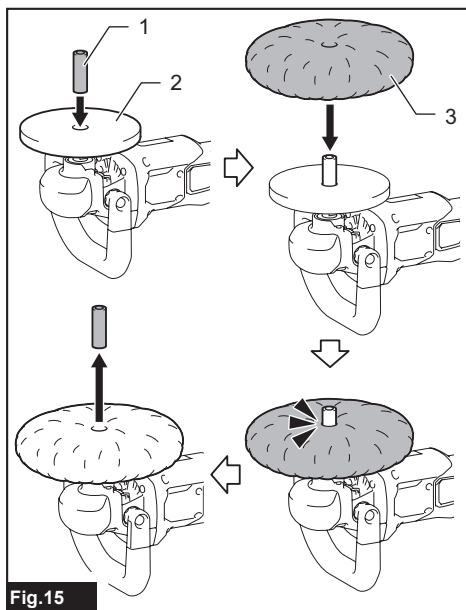


Fig.15

- 1. Manguito 18 2. Almohadilla de soporte
3. Almohadilla de lana

Remoción de la almohadilla de lana

1. Retire con cuidado la almohadilla de lana de la almohadilla de soporte.
2. Desatornille la almohadilla de soporte mientras presiona hacia adentro el bloqueo del eje.

Instalación y extracción de la capucha de lana de lana

Accesorio opcional

⚠️ PRECAUCIÓN: Asegúrese de que la almohadilla de goma quede asegurada debidamente. Un aditamento suelto se desequilibrará y ocasionará una vibración excesiva pudiendo causar la pérdida de control.

AVISO: Nunca accione el bloqueo del eje cuando éste se esté moviendo. Podría dañarse la herramienta.

AVISO: Limpie los accesorios y el eje con regularidad para eliminar el polvo y la suciedad. Limpie los componentes con un paño humedecido en agua jabonosa si es necesario.

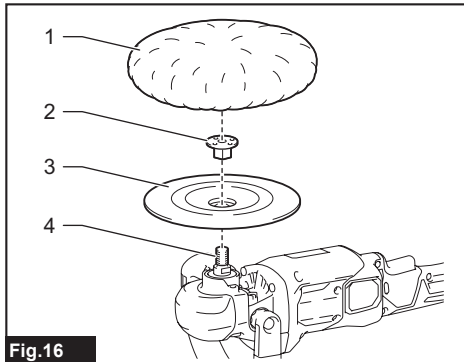


Fig.16

- 1. Capucha de lana 2. Contratuerca 3. Almohadilla de goma 4. Eje

Instalación de la capucha de lana

1. Presione hacia adentro el bloqueo del eje para evitar la rotación del eje.
2. Coloque la almohadilla de goma sobre el eje, pasando la rosca del eje a través del orificio central de la almohadilla de goma.

3. Instale la contratuerca sobre el eje y luego apriétela en el sentido de las manecillas del reloj con la llave para contratuercas para asegurar la almohadilla de goma firmemente en su lugar.

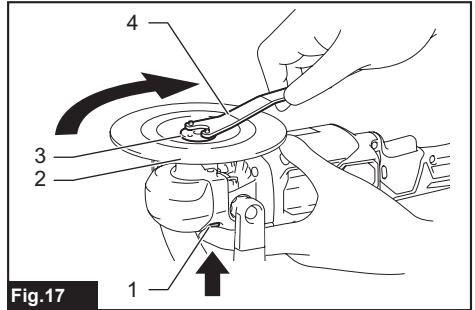


Fig.17

- 1. Bloqueo del eje 2. Almohadilla de goma 3. Contratuerca 4. Llave de contratuerca

4. Coloque la capucha de lana sobre la almohadilla de goma, y cúbrala por completo.
5. Gire la herramienta de cabeza. Tire de las cuerdas con fuerza, y haga un nudo de moño. Luego, meta el nudo y cualquier cuerda suelta entre el capucha de lana y la almohadilla de goma.

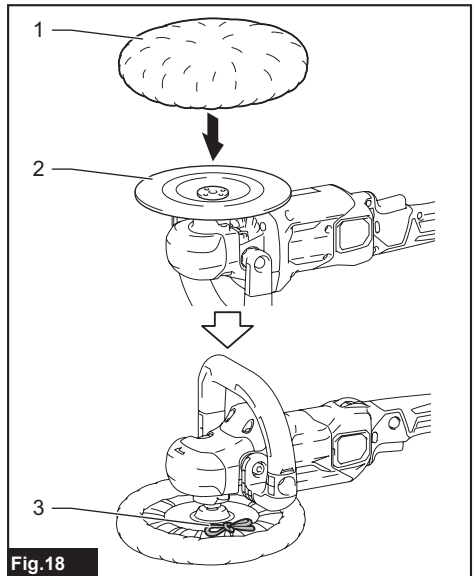


Fig.18

- 1. Capucha de lana 2. Almohadilla de goma 3. Cuerdas

Remoción de la capucha de lana

1. Desate el nudo de moño y retire con cuidado la capucha de lana de la almohadilla de goma.
2. Afloje la contratuerca en sentido inverso al de las manecillas del reloj con la llave de contratuerca mientras presiona hacia adentro el bloqueo del eje. Saque la contratuerca y la almohadilla de goma del eje.

OPERACIÓN

⚠PRECAUCIÓN: Utilice únicamente almohadillas para pulido originales de Makita (accesorios opcionales).

⚠PRECAUCIÓN: Asegúrese de sujetar la herramienta firmemente con ambas manos, colocando una mano en el mango interruptor y la otra en el mango tipo asa, la empuñadura lateral o el cabezal de la herramienta.

⚠PRECAUCIÓN: Asegúrese de que el mango tipo asa o la empuñadura lateral estén bien instalados antes de su operación.

⚠PRECAUCIÓN: Asegúrese de que el material de trabajo esté asegurado y estable. La caída de algún objeto podría causar lesiones personales.

⚠PRECAUCIÓN: No ponga en marcha la herramienta con una carga excesiva durante un período prolongado. Esto podría ocasionar una avería de la herramienta y causar una descarga eléctrica, un incendio y/o lesiones graves.

⚠PRECAUCIÓN: Tenga cuidado de no tocar la pieza giratoria.

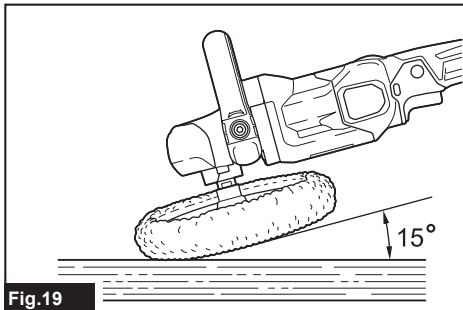
AVISO: Nunca fuerce la herramienta. Una presión excesiva puede disminuir la eficacia del pulido, dañar la almohadilla o acortar la vida útil de la herramienta.

AVISO: La operación continua a alta velocidad podría dañar la superficie de trabajo.

Fundamentos del pulido

⚠PRECAUCIÓN: Use siempre lentes de seguridad o careta durante la operación.

AVISO: Se recomienda realizar una pasada de prueba en un lugar poco visible para encontrar una carga de trabajo adecuada.



1. Asegúrese de que la pieza de trabajo esté apoyada correctamente y que ambas manos estén libres para controlar la herramienta.
2. Sujete la herramienta firmemente con una mano en el mango interruptor y la otra mano en el mango tipo asa, la empuñadura lateral o el cabezal de la herramienta.
3. Encienda la herramienta, dejando que la rueda de pulido alcance la velocidad máxima. Luego, con cuidado, inicie el funcionamiento moviendo la herramienta hacia adelante y hacia atrás con una presión constante sobre la superficie de la pieza de trabajo.

NOTA: Mantenga la almohadilla / capucha de lana en un ángulo de aproximadamente 15 grados con respecto a la superficie de la pieza de trabajo.

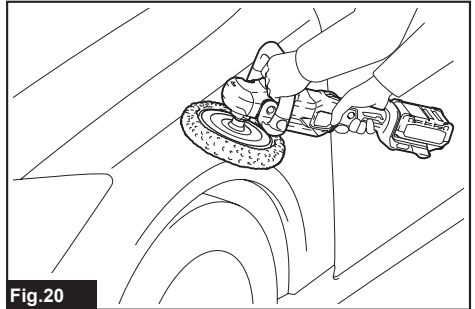
NOTA: Aplique una cantidad uniforme de presión suave sobre la rueda de pulido. La presión excesiva dará como resultado un rendimiento deficiente y un desgaste prematuro de la almohadilla / capucha de lana.

4. Una vez concluido, apague la herramienta y espere hasta que la rueda se haya detenido por completo antes de dejar la herramienta.

Operaciones de pulido

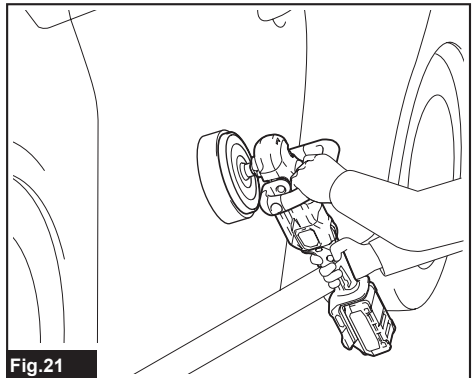
Tratamiento de la superficie

Utilice una almohadilla de lana para un acabado grueso y luego use una almohadilla de esponja (acesorio opcional) para un acabado fino.



Aplicación de cera

Aplique cera a la almohadilla de esponja (acesorio opcional) o a la superficie de trabajo. Haga funcionar la herramienta a baja velocidad para distribuir la cera.



⚠PRECAUCIÓN: No aplique cera ni agente pulidor en exceso. Esto generará más polvo y podrá causar enfermedades de los ojos o respiratorias.

NOTA: Primero, haga una prueba encerando una porción no visible de la superficie de trabajo. Asegúrese de que la herramienta no rayará la superficie, o la cera podría ser distribuida de forma dispereja.

Remoción de cera

Aplique con una almohadilla de esponja limpia (accesorio opcional). Haga funcionar la herramienta para retirar la cera.

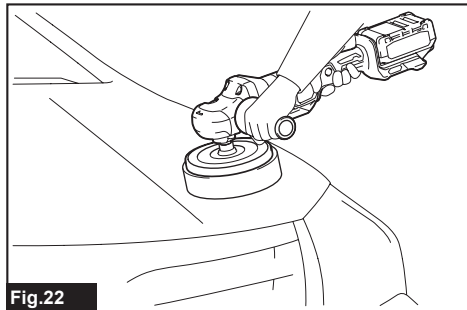


Fig.22

MANTENIMIENTO

PRECAUCIÓN: Asegúrese siempre de que la herramienta esté apagada y el cartucho de batería extraído antes de intentar realizar una inspección o mantenimiento.

AVISO: Nunca use gasolina, bencina, diluyente (tíner), alcohol o sustancias similares. Puede que esto ocasione grietas o descoloramiento.

Para mantener la SEGURIDAD y FIABILIDAD del producto, las reparaciones, y cualquier otra tarea de mantenimiento o ajuste deberán ser realizadas en centros de servicio autorizados o de fábrica Makita, empleando siempre repuestos Makita.

Limpeza de las cubiertas contra polvo

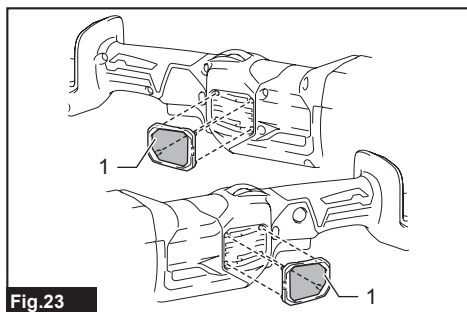


Fig.23

► 1. Cubierta contra polvo

Limpe regularmente las cubiertas contra polvo en las ventilaciones de entrada para una circulación de aire suave. Extraiga las cubiertas contra polvo y limpie la malla.

ACCESORIOS OPCIONALES

PRECAUCIÓN: Estos accesorios o aditamentos están recomendados para utilizarse con su herramienta Makita especificada en este manual. El empleo de cualquier otro accesorio o aditamento puede conllevar el riesgo de lesiones personales. Utilice los accesorios o aditamentos solamente para su fin establecido.

Si necesita cualquier ayuda para más detalles en relación con estos accesorios, pregunte a su centro de servicio local Makita.

- Contratuercia 48
- Llave de contratuercia 28
- Almohadilla de esponja (gancho y bucle)
- Almohadilla de lana 180 (gancho y bucle)
- Capucha de lana 180
- Almohadilla de soporte 165 (gancho y bucle)
- Almohadilla de goma 170
- Manguito 18
- Empuñadura lateral (mango auxiliar)
- Mango tipo asa
- Batería y cargador originales de Makita

NOTA: Algunos de los artículos en la lista pueden incluirse en el paquete de la herramienta como accesorios estándar. Éstos pueden variar de país a país.

GARANTÍA LIMITADA DE MAKITA

Ésta Garantía no aplica para México

Consulte la hoja de la garantía anexa para ver los términos más vigentes de la garantía aplicable a este producto. En caso de no disponer de esta hoja de garantía anexa, consulte los detalles sobre la garantía descritos en el sitio web de su país respectivo indicado a continuación.

Estados Unidos de América: www.makitatools.com

Canadá: www.makita.ca

Otros países: www.makita.com

< USA only >

WARNING

Some dust created by power sanding, sawing, grinding, drilling, and other construction activities contains chemicals known to the State of California to cause cancer, birth defects or other reproductive harm. Some examples of these chemicals are:

- lead from lead-based paints,
- crystalline silica from bricks and cement and other masonry products, and
- arsenic and chromium from chemically-treated lumber.

Your risk from these exposures varies, depending on how often you do this type of work. To reduce your exposure to these chemicals: work in a well ventilated area, and work with approved safety equipment, such as those dust masks that are specially designed to filter out microscopic particles.

< Sólo en los Estados Unidos >

ADVERTENCIA

Algunos polvos creados por el lijado, aserrado, esmerilado, taladrado y otras actividades de la construcción contienen sustancias químicas reconocidas por el Estado de California como causantes de cáncer, defectos de nacimiento y otros peligros de reproducción. Algunos ejemplos de estos productos químicos son:

- plomo de pinturas a base de plomo,
- sílice cristalino de ladrillos y cemento y otros productos de albañilería, y
- arsénico y cromo de maderas tratadas químicamente.

El riesgo al que se expone varía, dependiendo de la frecuencia con la que realice este tipo de trabajo. Para reducir la exposición a estos productos químicos: trabaje en un área bien ventilada y póngase el equipo de seguridad indicado, tal como las máscaras contra polvo que están especialmente diseñadas para filtrar partículas microscópicas.

Makita Corporation

3-11-8, Sumiyoshi-cho,
Anjo, Aichi 446-8502 Japan

www.makita.com

885941-934
PV001G-1
EN, FRCA, ESMX
20211103